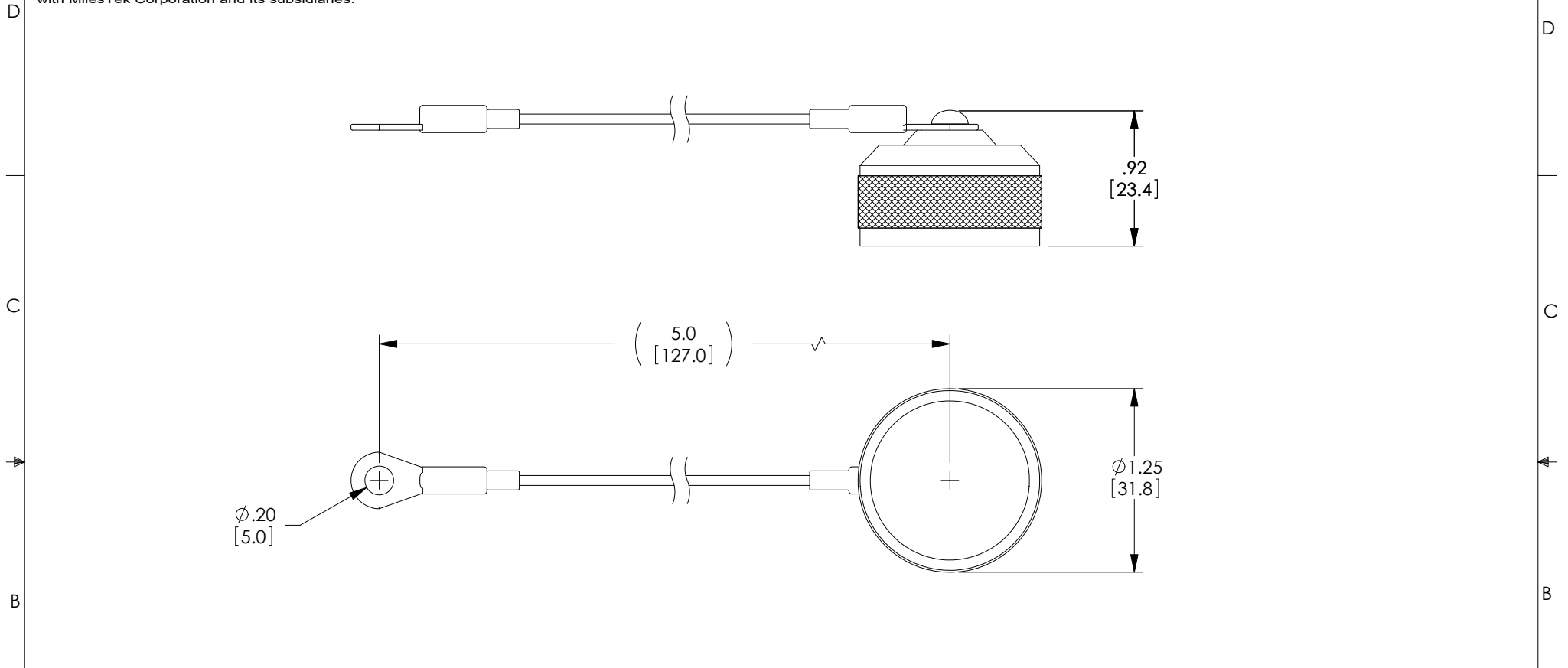


8 7 6 5 4 3 2 1

PROPRIETARY NOTICE

This document discloses confidential subject matter in which MilesTek Corporation and its subsidiaries have proprietary rights. Neither receipt nor possession thereof confers or transfers any right to reproduce or disclose the document, any part thereof, any information contained therein, or any physical article or device, or to practice any method or process, except by written permission from, or written agreement with MilesTek Corporation and its subsidiaries.

REV	DESCRIPTION	DATE	APPROVED
A	REV A DRAWING RELEASED	06/25/2018	BPUCHASKI



NOTES:

- ALL DIMENSIONS ARE FOR REFERENCE ONLY.
- MATERIALS AND FINISH:  
EXTERNAL PARTS: ALUMINUM, ANODIZED (BLACK)  
MISCELLANEOUS HARDWARE: STAINLESS STEEL  
SEAL: SILICONE / NITRILE  
LANYARD: STAINLESS STEEL (NYLON COATED)
- USED WITH FLANGE MOUNT STYLE RECEPTACLES.
- COMPONENT ASSEMBLY SHALL BE INDIVIDUALLY PACKAGED IN ACCORDANCE WITH MILESTEK SPECIFICATION PS-0054.

REGULATORY COMPLIANCE:  
CE2011/65/EU(RoHS DIRECTIVE)

NON CONTROLLED DRAWING IF PRINTED

CAD SYSTEM DRAWING - DO NOT REVISE MANUALLY			
UNLESS OTHERWISE SPECIFIED ALL DIMENSIONS ARE IN INCHES		SIGNATURE	DATE
OVERALL CABLE LENGTH TOLERANCE: ≤12 [305] = +1 [25] / -0 >12 [305] ≤60 [1524] = +2 [51] / -0 >60 [1524] ≤120 [3048] = +4 [102] / -0 >120 [3048] ≤300 [7620] = +6 [152] / -0 >300 [7620] = +5% / -0%		DRAWN BY: BPUCHASKI	06/25/2018
ALL OTHER DIMENSIONAL TOLERANCES: .X = ±.2 [5.08] .XX = ±.02 [5.1] .XXX = ±.005 [13]		CHECKED BY: DFRISIELLO	06/25/2018
DASH NEXT ASSY USED ON		APPROVED ENGINEERING: D.GUITADAURO	06/25/18
APPLICATION		APPROVED MANUFACTURING:	CUSTOMER APPROVAL
CUSTOMER REFERENCE DOCUMENT:		TITLE DCAP + EYE LNYRD FLNG MT ANOD	
CAGE CODE: 42977		DRAWING NUMBER: TMK00010	
SCALE: NTS		SHEET 1 OF 1	

8 7 6 5 4 3 2 1