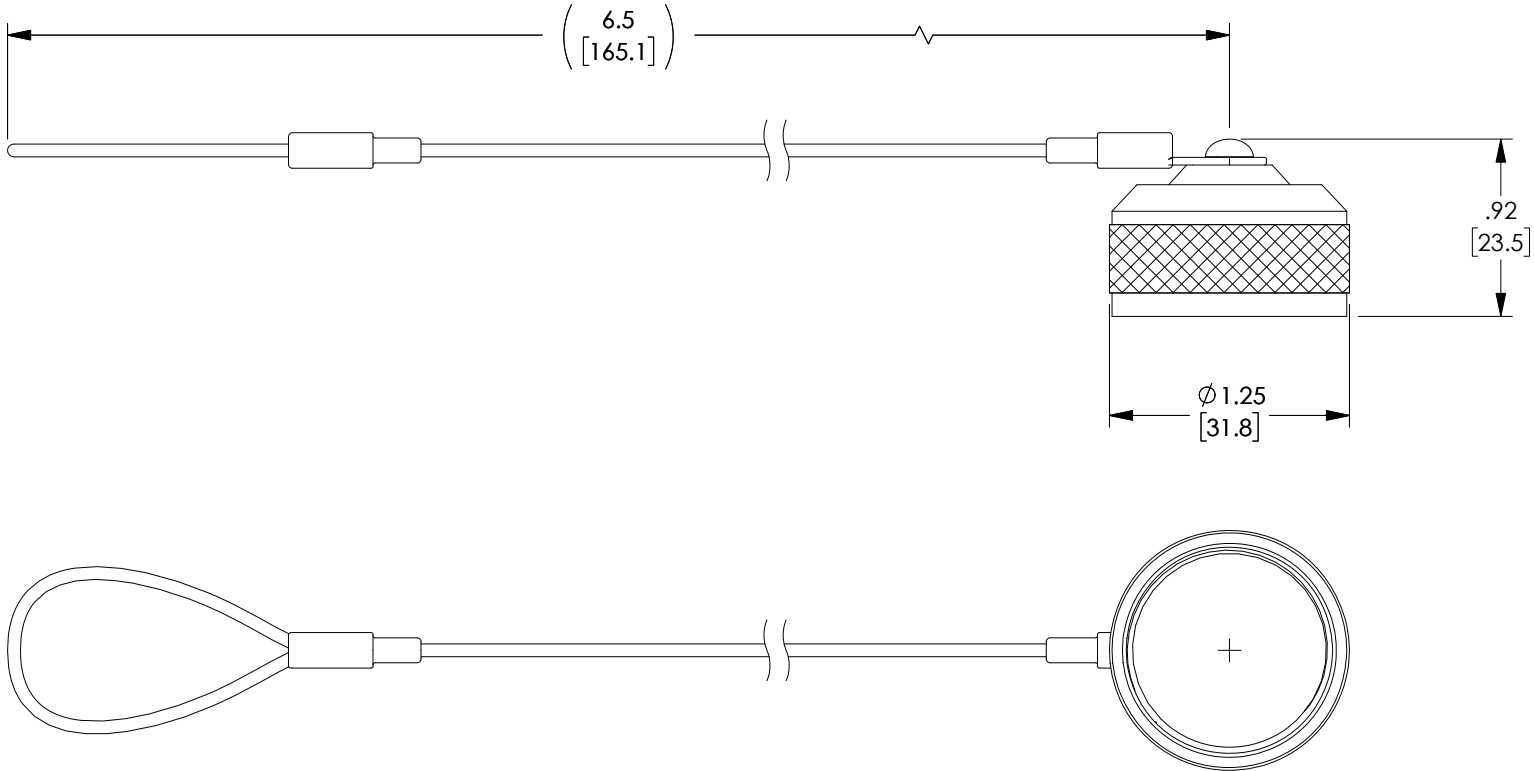


8 7 6 5 4 3 2 1

PROPRIETARY NOTICE

This document discloses confidential subject matter in which MilesTek Corporation and its subsidiaries have proprietary rights. Neither receipt nor possession thereof confers or transfers any right to reproduce or disclose the document, any part thereof, any information contained therein, or any physical article or device, or to practice any method or process, except by written permission from, or written agreement with MilesTek Corporation and its subsidiaries.

REV	REVISIONS		DATE	APPROVED
	DESCRIPTION			
A	REV A DRAWING RELEASED		06/25/2018	BPUCHASKI



NOTES:

1. ALL DIMENSIONS ARE FOR REFERENCE ONLY.
2. MATERIALS AND FINISH:
EXTERNAL PARTS: ALUMINUM, ZINC NICKEL (OLIVE DRAB)
MISCELLANEOUS HARDWARE: STAINLESS STEEL
SEAL: SILICONE / NITRILE
LANYARD: STAINLESS STEEL (NYLON COATED)
3. USED WITH IN-LINE STYLE RECEPTACLES
4. COMPONENT ASSEMBLY SHALL BE INDIVIDUALLY PACKAGED IN ACCORDANCE WITH MILESTEK SPECIFICATION PS-0054.

NON CONTROLLED DRAWING IF PRINTED

CAD SYSTEM DRAWING - DO NOT REVISE MANUALLY			
UNLESS OTHERWISE SPECIFIED ALL DIMENSIONS ARE IN INCHES		SIGNATURE	DATE
OVERALL CABLE LENGTH TOLERANCE: ≤12 [305] = +1 [25] / -0 >12 [305] ≤60 [1524] = +2 [51] / -0 >60 [1524] ≤120 [3048] = +4 [102] / -0 >120 [3048] ≤300 [7620] = +6 [152] / -0 >300 [7620] = +5% / -0%		DRAWN BY: BPUCHASKI	06/25/2018
ALL OTHER DIMENSIONAL TOLERANCES: .X = ±.2 [5.08] .XX = ±.02 [5.1] .XXX = ±.005 [1.3]		CHECKED BY: DFRISIELLO	06/25/2018
DASH NEXT ASSY USED ON APPLICATION		APPROVED ENGINEERING: D.GUITTADAURO	06/25/18
CUSTOMER REFERENCE DOCUMENT:		APPROVED MANUFACTURING:	
CAGE CODE: 42977		CUSTOMER APPROVAL	
TITLE		MilesTek	
DCAP + LNYRD INLINE RECP ZINI		MILESTEK CORPORATION 301 LEORA LANE, SUITE 100 LEWISVILLE, TX 75056 PHONE: (940) 484-9400 FAX: (940) 566-1047	
DRAWING NUMBER: TMK00009		SCALE: NTS	
SHEET 1 OF 1			

8 7 6 5 4 3 2 1