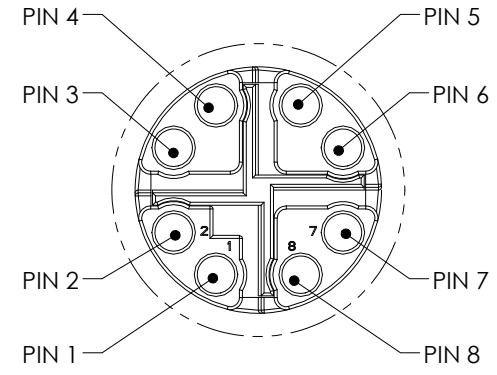
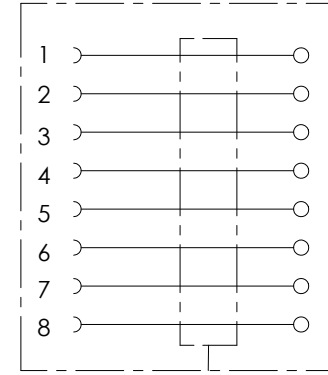
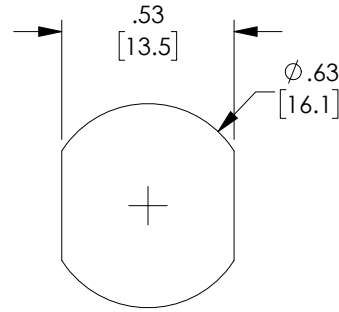
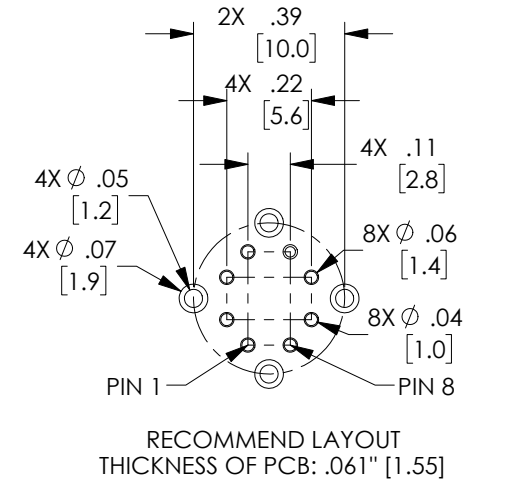
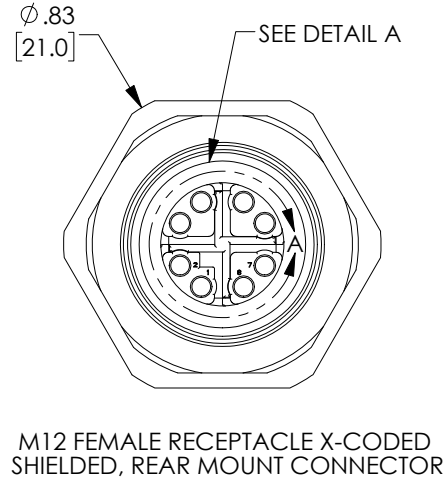
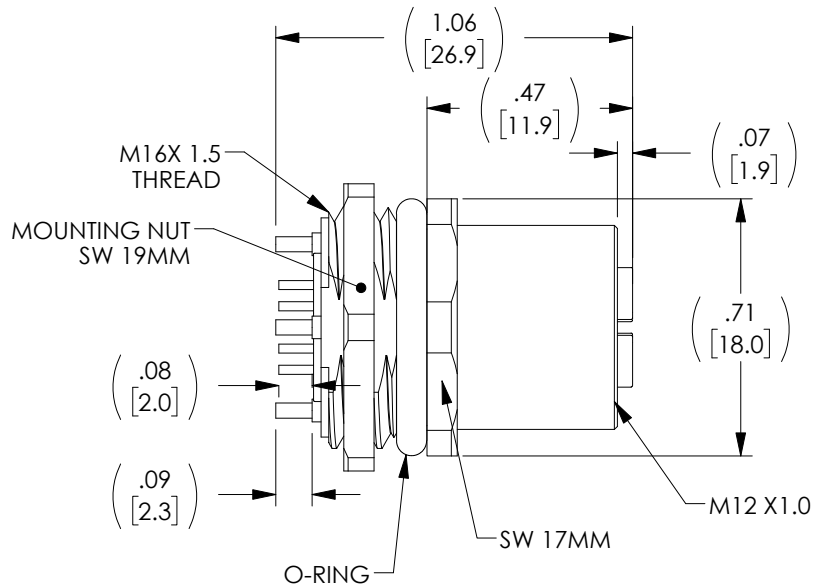


PROPRIETARY NOTICE

This document discloses confidential subject matter in which MilesTek Corporation and its subsidiaries have proprietary rights. Neither receipt nor possession thereof confers or transfers any right to reproduce or disclose the document, any part thereof, any information contained therein, or any physical article or device, or to practice any method or process, except by written permission from, or written agreement with MilesTek Corporation and its subsidiaries.

REVISIONS			
REV	DESCRIPTION	DATE	APPROVED
A	INITIAL RELEASE	05/31/2019	DFRISIELLO



NOTES

MECHANICAL DATA:

1. CODING: M12, X-CODED, FEMALE
2. LOCKING OF PORTS SCREW THREAD: M12 x 1 MM (RECOMMENDED TORQUE 0.6 NM) SELF-SECURING
3. PROTECTION: IP67 (WHEN MATED AND TIGHTENED, EN 60529)
4. HOUSING: ZINC, PRESSURE DIE CASTING, SURFACE NICKEL
5. TEMPERATURE RANG: -40 TO +85 °C

MISCELLANEOUS:

1. OPERATING VOLTAGE: MAX 50 V AC/60 V DC
2. OPERATING CURRENT: PER CONTACT MAX 0.5 A
3. TRANSFER PARAMETERS: CAT6, CLASS EA (ISO/IEC 11801:2002), (EN 50173-1)
4. TRANSFER RATE: 10 GBIT/S
5. SHIPS UNASSEMBLED
6. COMPONENT SHALL BE INDIVIDUALLY PACKAGED PER MILESTEK SPECIFICATION PS-0054.

UNLESS OTHERWISE SPECIFIED ALL DIMENSIONS ARE IN INCHES  OVERALL CABLE LENGTH TOLERANCE: ≤12 [305] = +1 [25] / -0 >12 [305] ≤60 [1524] = +2 [51] / -0 >60 [1524] ≤120 [3048] = +4 [102] / -0 >120 [3048] ≤300 [7620] = +6 [152] / -0 >300 [7620] = +5% / -0%  ALL OTHER DIMENSIONAL TOLERANCES: X = ± 2 [50.8] XX = ± .02 [5.1] XXX = ±.005 [1.3]  CUSTOMER REFERENCE DOCUMENT:	SIGNATURE	DATE	<p>MILESTEK CORPORATION 301 LEORA LANE, SUITE 100 LEWISVILLE, TX 75056 PHONE: (940) 484-9400 FAX: (940) 566-1047</p>
	DRAWN BY: DFRISIELLO	05/30/2019	
	CHECKED BY: DGUTTADAUR	05/31/2019	
	APPROVED BY: DGUTTADAUR	05/31/2019	
	CONFIGURATION DETAILS OF UNDIMENSIONED FEATURES MAY VARY		TITLE M12 8X-F REAR MNT SOLDER
	CAGE CODE: 4Z977	SCALE: NTS	SIZE A
		DRAWING NUMBER: TAC00004	REV. A
			SHEET 1 OF 1