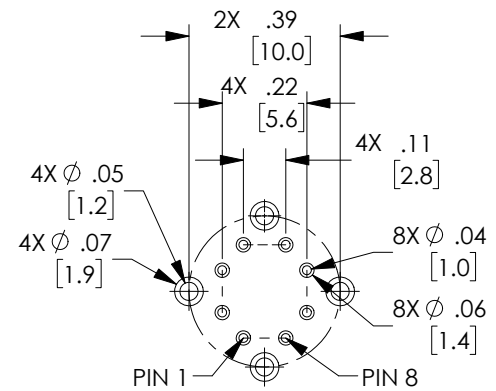
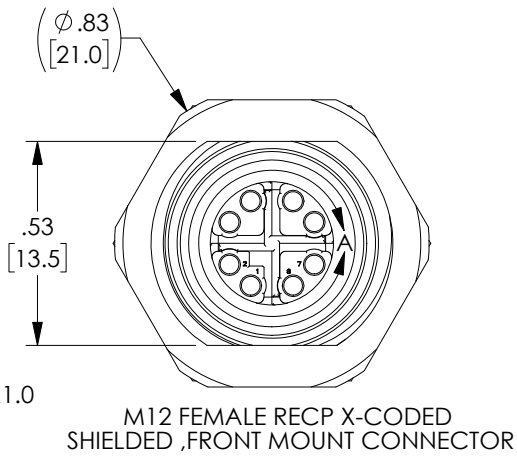
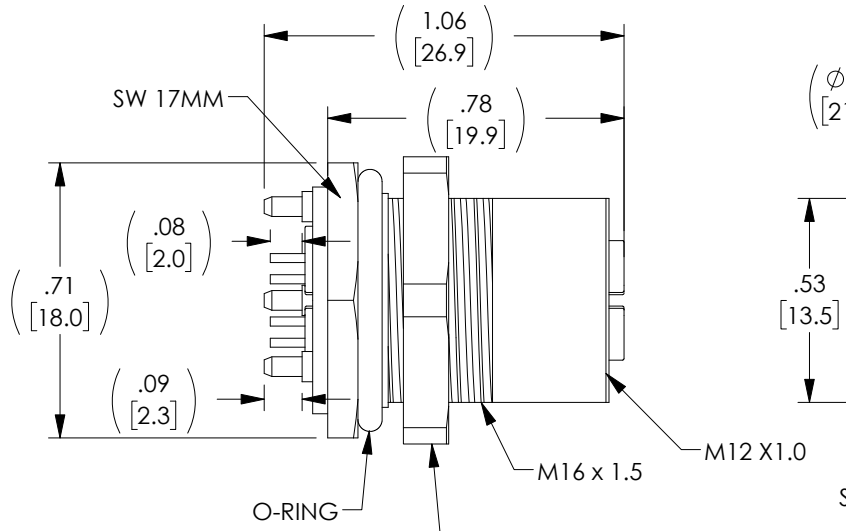
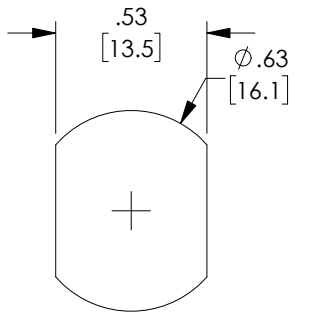


PROPRIETARY NOTICE
 This document discloses confidential subject matter in which MilesTek Corporation and its subsidiaries have proprietary rights. Neither receipt nor possession thereof confers or transfers any right to reproduce or disclose the document, any part thereof, any information contained therein, or any physical article or device, or to practice any method or process, except by written permission from, or written agreement with MilesTek Corporation and its subsidiaries.

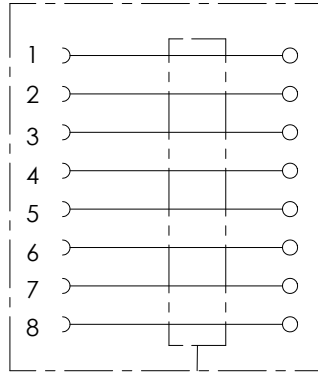
REVISIONS			
REV	DESCRIPTION	DATE	APPROVED
A	INITIAL RELEASE	05/31/2019	DFRISIELLO



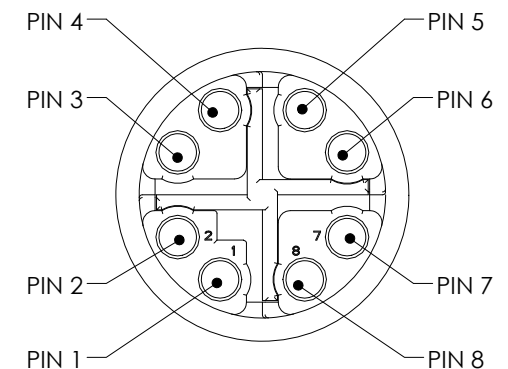
RECOMMENDED LAYOUT
 THICKNESS OF PCB: .061" [1.55]



RECOMMENDED CUT-OUT SIZE
 MAX PANEL THICKNESS: .177 [4.5]



SCHEMATIC DIAGRAM



DETAIL A
 CONNECTOR PIN ASSIGNMENT

NOTES:

MECHANICAL DATA:

1. CODING: M12, X-CODED, FEMALE
2. LOCKING OF PORTS SCREW THREAD: M12 X1 MM (RECOMMENDED TORQUE 0.6 NM) SELF-SECURING
3. PROTECTION: IP67 (WHEN MATED AND TIGHTENED, EN 60529)
4. HOUSING: ZINC, PRESSURE DIE CASTING, SURFACE NICKEL PLATED
5. TEMPERATURE RANG: -40 TO +85 °C

MISCELLANEOUS:

1. OPERATING VOLTAGE: MAX 50 V AC/60 V DC
2. OPERATING CURRENT: PER CONTACT MAX 0.5 A
3. TRANSFER PARAMETERS: CAT6, CLASS EA (ISO/IEC 11801:2002), (EN 50173-1)
4. TRANSFER RATE: 10 GBIT/S
5. SHIPS UNASSEMBLED
6. COMPONENT SHALL BE INDIVIDUALLY PACKAGED PER MILESTEK SPECIFICATION PS-0054.

UNLESS OTHERWISE SPECIFIED ALL DIMENSIONS ARE IN INCHES OVERALL CABLE LENGTH TOLERANCE: ≤12 [305] = +1 [25] / -0 >12 [305] ≤60 [1524] = +2 [51] / -0 >60 [1524] ≤120 [3048] = +4 [102] / -0 >120 [3048] ≤300 [7620] = +6 [152] / -0 >300 [7620] = +5% / -0% ALL OTHER DIMENSIONAL TOLERANCES: X = ± 2 [50.8] XX = ± .02 [51] XXX = ±.005 [13]	SIGNATURE	DATE	 MILESTEK CORPORATION 301 LEORA LANE, SUITE 100 LEWISVILLE, TX 75056 PHONE: (940) 484-9400 FAX: (940) 566-1047	
	DRAWN BY: DFRISIELLO	05/30/2019		TITLE M12 8X-F FRONT MNT SOLDER
	CHECKED BY: DGUTTADAUR	05/31/2019		SIZE A
	APPROVED BY: DGUTTADAUR	05/31/2019		DRAWING NUMBER: TAC00003
CUSTOMER REFERENCE DOCUMENT:	CAGE CODE: 4Z977	SCALE: NTS	SHEET 1 OF 1	