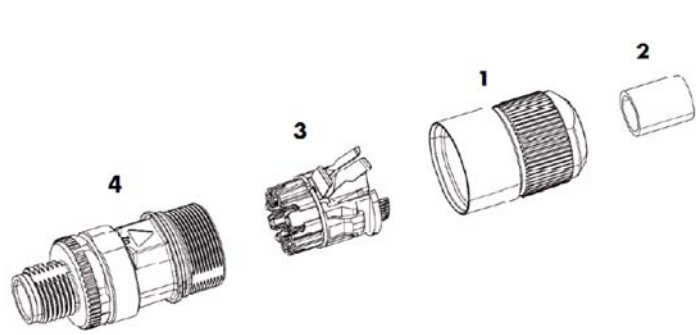
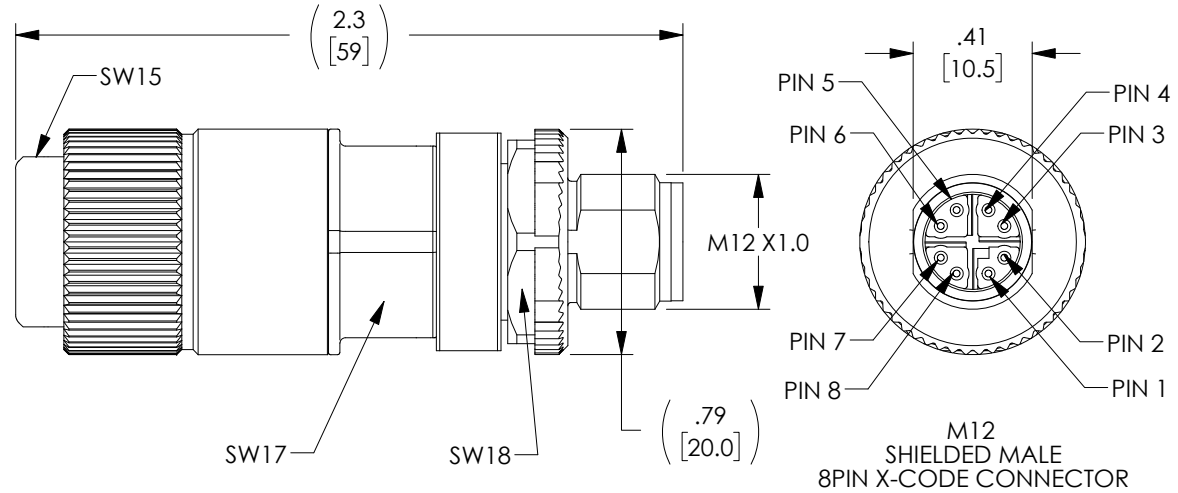


PROPRIETARY NOTICE
 This document discloses confidential subject matter in which MilesTek Corporation and its subsidiaries have proprietary rights. Neither receipt nor possession thereof confers or transfers any right to reproduce or disclose the document, any part thereof, any information contained therein, or any physical article or device, or to practice any method or process, except by written permission from, or written agreement with MilesTek Corporation and its subsidiaries.

REVISIONS			
REV	DESCRIPTION	DATE	APPROVED
A	INITIAL RELEASE	05/31/2019	DFRISIELLO



EXPLODED VIEW



M12 SHIELDED MALE 8PIN X-CODE CONNECTOR

PART TABLE	
ITEM	DESCRIPTION
1	PREMOUNTED PRESSING SCREW
2	ADDITIONAL SEALING FOR CABLE OD=5.5-7.5MM
3	WIRE MANAGER
4	MALE INSERT

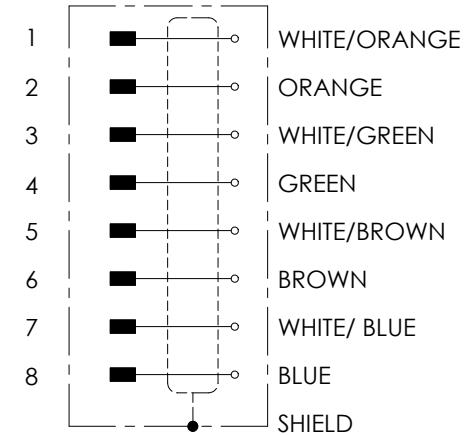
NOTES:

MECHANICAL DATA:

- CABLE OUTSIDE DIAMETER: 5.5MM - 9.0MM
- CONDUCTOR CROSS SECTION:
 STRANDED: 0.14 - 0.34MM² (AWG 26 - 22); SOLID:0.25 - 0.34MM² (AWG 24 - 22)
- TERMINATION: IDC CONNECTION
- CONNECTION: PLUGGABLE, SCREW LOCKING
- TEMP. RANGE: -40 °C TO +85 °C
- PROTECTION: IP67(WHEN MATED AND TIGHTENED)
- HOUSING MATERIAL: CUZN, NICKEL PLATED
- SCREW: M12X1 ZINC PRESSURE DIE CASTING SURFACE NICKEL PLATE

MISCELLANEOUS:

- NOMINAL VOLTAGE: 50 V AC/ 60 V DC
- RATED CURRENT (40 °C): MAX 0.5 A
- TRANSFER PARAMETERS: CAT6, CLASS EA (ISO/IEC 11801:2002), (EN 50173-1)
- TRANSFER RATE: 10GBIT/S
- SHIPS UNASSEMBLED
- COMPONENT SHALL BE INDIVIDUALLY PACKAGED PER MILESTEK SPECIFICATION PS-0054.



WIRING DIAGRAM

UNLESS OTHERWISE SPECIFIED ALL DIMENSIONS ARE IN INCHES OVERALL CABLE LENGTH TOLERANCE: ≤12 [305] = +1 [25] / -0 >12 [305] ≤60 [1524] = +2 [51] / -0 >60 [1524] ≤120 [3048] = +4 [102] / -0 >120 [3048] ≤300 [7620] = +6 [152] / -0 >300 [7620] = +5% / -0% ALL OTHER DIMENSIONAL TOLERANCES: .X = ± 2 [5.08] .XX = ± .12 [3.05] .XXX = ±.005 [1.27]	SIGNATURE	DATE	 MILESTEK CORPORATION 301 LEORA LANE, SUITE 100 LEWISVILLE, TX 75056 PHONE: (940) 484-9400 FAX: (940) 566-1047	
	DRAWN BY: DFRISIELLO	05/30/2019		TITLE M12 8X-M FLDTRM 26-22AWG SHLD
	CHECKED BY: DGUTTADAUR	05/31/2019		
	APPROVED BY: DGUTTADAUR	05/31/2019		
CUSTOMER REFERENCE DOCUMENT: CAGE CODE: 4Z977	CONFIGURATION DETAILS OF UNDIMENSIONED FEATURES MAY VARY	SCALE: NTS	SHEET 1 OF 1	

DRAWING NUMBER:
TAB00001

REV. **A**