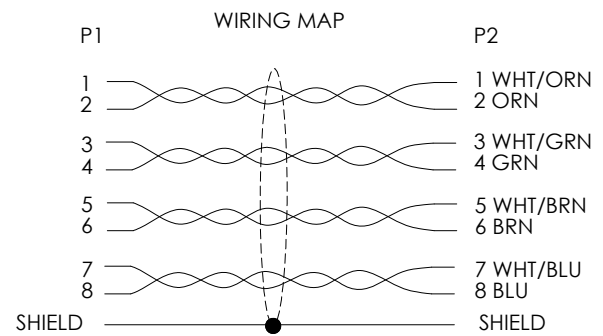
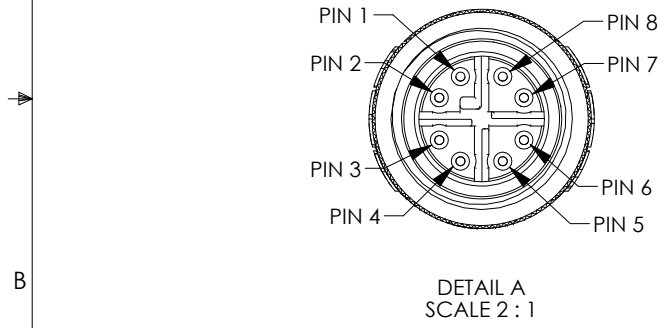
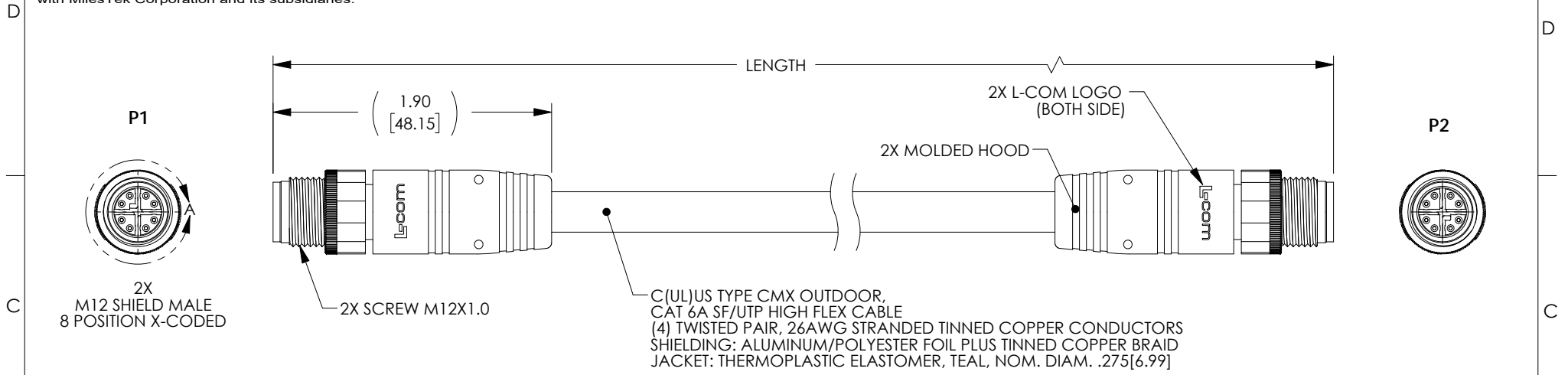


PROPRIETARY NOTICE

This document discloses confidential subject matter in which MilesTek Corporation and its subsidiaries have proprietary rights. Neither receipt nor possession thereof confers or transfers any right to reproduce or disclose the document, any part thereof, any information contained therein, or any physical article or device, or to practice any method or process, except by written permission from, or written agreement with MilesTek Corporation and its subsidiaries.

REVISIONS			
REV	DESCRIPTION	DATE	APPROVED
A	INITIAL RELEASE	05/31/2019	DFRISIELLO



MODEL NUMBER	LENGTH	
	METERS	FEET
TAA00011-1M	1.0	3.28
TAA00011-2M	2.0	6.56
TAA00011-3M	3.0	9.84
TAA00011-5M	5.0	16.41
TAA00011-10M	10.0	32.81

NOTES

**MATERIAL:**  
 MOLDED HOOD: THERMOPLASTIC POLYURETHANE, BLACK  
 INSULATOR: NYLON, BLACK  
 SHELL/SCREW NUT: BRASS, NICKEL PLATE  
 CONTACTS: PHOSPHOR BRONZE, 15" MIN. GOLD PLATE

**ELECTRICAL:**  
 NOMINAL VOLTAGE RATING: 48 VAC/VDC  
 MAX CURRENT: 0.5A

**APPLICATION:**  
 INGRESS PROTECTION RATING IS IP67 (WHEN MATED).

**ENVIRONMENTAL:**  
 OPERATING TEMPERATURE RANGE: -40°C TO +75°C

**MISCELLANEOUS**  
 CABLE ASSEMBLY TO BE TESTED FOR CONTINUITY.  
 WIRED TO IEC 61076-2-109 STANDARDS  
 CABLE ASSEMBLY SHALL BE INDIVIDUALLY PACKAGED IN ACCORDANCE WITH MILESTEK SPECIFICATION PS-0054.

UNLESS OTHERWISE SPECIFIED ALL DIMENSIONS ARE IN INCHES  OVERALL CABLE LENGTH TOLERANCE: ≤12 [305] = +1 [25] / -0 >12 [305] ≤60 [1524] = +2 [51] / -0 >60 [1524] ≤120 [3048] = +4 [102] / -0 >120 [3048] ≤300 [7620] = +6 [152] / -0 >300 [7620] = +5% / -0%  ALL OTHER DIMENSIONAL TOLERANCES: .X = ± 2 [50.8] .XX = ± .02 [5.1] .XXX = ±.005 [1.3]	SIGNATURE	DATE	MILESTEK CORPORATION 301 LEORA LANE, SUITE 100 LEWISVILLE, TX 75056 PHONE: (940) 484-9400 FAX: (940) 566-1047
	DRAWN BY: DFRISIELLO	05/30/2019	
	CHECKED BY: DGUTTADAUR	05/31/2019	
	APPROVED BY: DGUTTADAUR	05/31/2019	
CUSTOMER REFERENCE DOCUMENT:	CONFIGURATION DETAILS OF UNDIMENSIONED FEATURES MAY VARY		TITLE C6A M12MX M/M TPE 26 TEL
CAGE CODE: 4Z977	SIZE <b>A</b>	DRAWING NUMBER: TAA00011	REV. A
	SCALE: NTS		SHEET 1 OF 1