

8

7

6

5

4

3

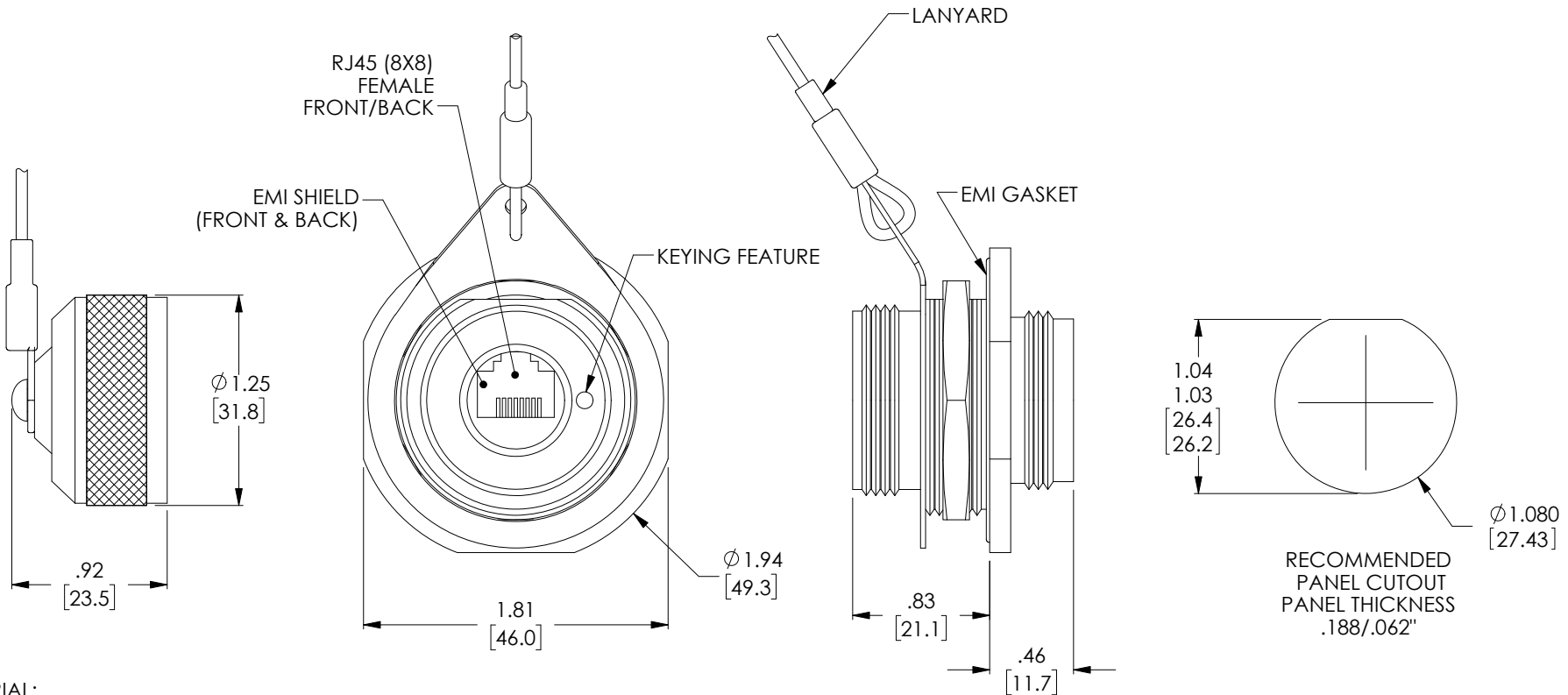
2

1

PROPRIETARY NOTICE

This document discloses confidential subject matter in which MilesTek Corporation and its subsidiaries have proprietary rights. Neither receipt nor possession thereof confers or transfers any right to reproduce or disclose the document, any part thereof, any information contained therein, or any physical article or device, or to practice any method or process, except by written permission from, or written agreement with MilesTek Corporation and its subsidiaries.

REV	REVISIONS		DATE	APPROVED
	DESCRIPTION			
A	REV A DRAWING RELEASED		7/20/18	DFRISIELLO



NOTES:

- MATERIAL:
EXTERNAL PARTS: ALUMINUM/ELECTROLESS NICKEL, (BLACK)
INTERNAL PARTS: ALUMINUM
MISC. HARDWARE: STAINLESS STEEL
SEALS: SILICONE
LANYARD: STAINLESS STEEL (NYLON COAT)
- LANYARD LENGTH: APPROXIMATELY 6.0"
- RATED IP-68.
PERFORMANCE MEETS OR EXCEEDS CATEGORY 6 ANSI/EIA 568-C.
- ALL DIMENSIONS ARE FOR REFERENCE ONLY.
- COMPONENT SHALL BE INDIVIDUALLY PACKAGED
IN ACCORDANCE WITH MILESTEK SPECIFICATION PS-0054

REGULATORY COMPLIANCE:
CE2011/65/EU(RoHS DIRECTIVE)

NON CONTROLLED DRAWING IF PRINTED

CAD SYSTEM DRAWING - DO NOT REVISE MANUALLY			
UNLESS OTHERWISE SPECIFIED ALL DIMENSIONS ARE IN INCHES		SIGNATURE	DATE
OVERALL CABLE LENGTH TOLERANCE: ≤12 [305] = +1 [25] / -0 >12 [305] ≤60 [1524] = +2 [51] / -0 >60 [1524] ≤120 [3048] = +4 [102] / -0 >120 [3048] ≤300 [7620] = +6 [152] / -0 >300 [7620] = +5% / -0%		DRAWN BY: DFRISIELLO	7/20/18
ALL OTHER DIMENSIONAL TOLERANCES: .X = ±.2 [5.08] .XX = ±.02 [1.51] .XXX = ±.005 [1.3]		CHECKED BY: DGUTTADAURO	7/20/18
DASH NEXT ASSY USED ON		APPROVED ENGINEERING: DGUTTADAURO	7/20/18
APPLICATION		APPROVED MANUFACTURING:	
CUSTOMER REFERENCE DOCUMENT:		CUSTOMER APPROVAL	
CAGE CODE: 42977		TITLE C6 JAM NUT SHLD D38999 EN w/ DUST CAP	
SCALE: NTS		SIZE A	DRAWING NUMBER: T6C00026
SHEET 1 OF 1			

8

7

6

5

4

3

2

1