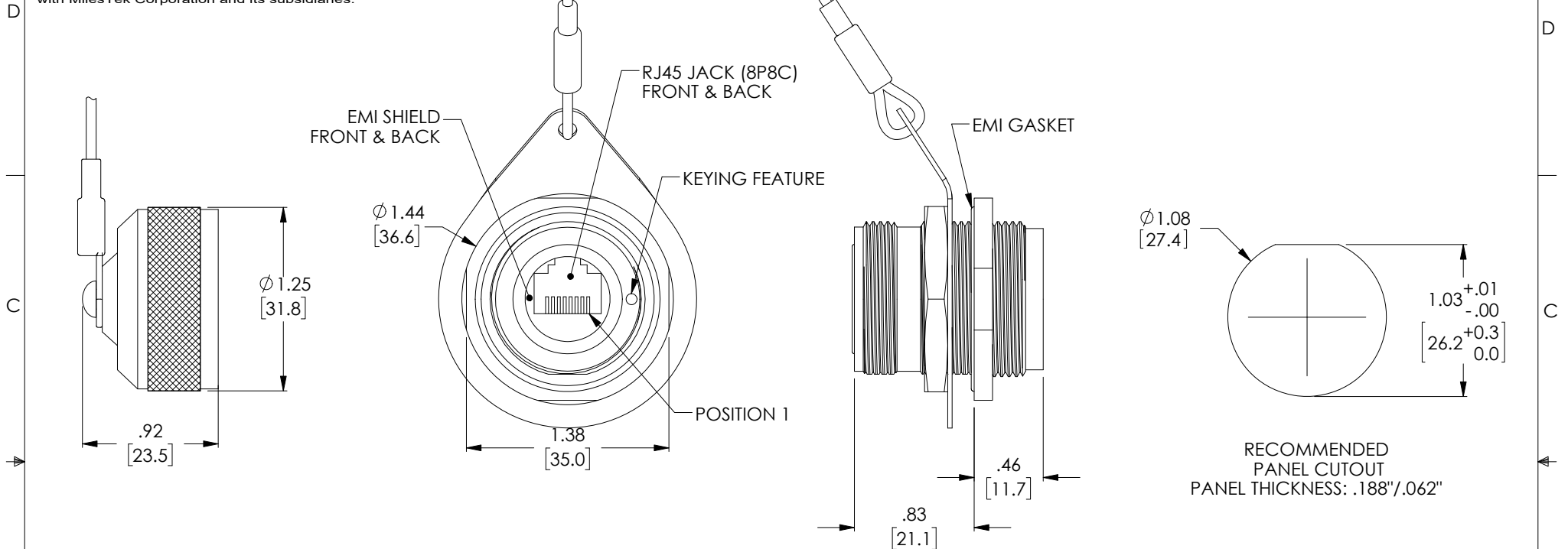


PROPRIETARY NOTICE

This document discloses confidential subject matter in which MilesTek Corporation and its subsidiaries have proprietary rights. Neither receipt nor possession thereof confers or transfers any right to reproduce or disclose the document, any part thereof, any information contained therein, or any physical article or device, or to practice any method or process, except by written permission from, or written agreement with MilesTek Corporation and its subsidiaries.

REV	REVISIONS		DATE	APPROVED
	DESCRIPTION			
A	REV A DRAWING RELEASED		7/20/18	DFRISIELLO



NOTES:

- MATERIAL:
EXTERNAL PARTS: ALUMINUM/ELECTROLESS NICKEL, (BLACK)
INTERNAL PARTS: ALUMINUM
MISC. HARDWARE: STAINLESS STEEL
SEALS: SILICONE/NITRILE
LANYARD: STAINLESS STEEL (NYLON COAT)
- MISCELLANEOUS:
RATING: IP-68
PERFORMANCE MEETS OR EXCESS CATEGORY 6
ANSI/EIA 568-C.2 SPECIFICATIONS.
- KIT INCLUDES:
(1) DUST CAP WITH LANYARD
- ALL DIMENSIONS ARE FOR REFERENCE ONLY.
- COMPONENT SHALL BE INDIVIDUALLY PACKAGED
IN ACCORDANCE WITH MILESTEK SPECIFICATION PS-0054

REGULATORY COMPLIANCE:
CE2011/65/EU (RoHS DIRECTIVE)

NON CONTROLLED DRAWING IF PRINTED

CAD SYSTEM DRAWING - DO NOT REVISE MANUALLY			
UNLESS OTHERWISE SPECIFIED ALL DIMENSIONS ARE IN INCHES		SIGNATURE	DATE
OVERALL CABLE LENGTH TOLERANCE: ≤12 [305] = +1 [25] / -0 >12 [305] ≤60 [1524] = +2 [51] / -0 >60 [1524] ≤120 [3048] = +4 [102] / -0 >120 [3048] ≤300 [7620] = +6 [152] / -0 >300 [7620] = +5% / -0%		DFRISIELLO	7/20/18
ALL OTHER DIMENSIONAL TOLERANCES: .X = ±.2 [5.08] .XX = ±.02 [5.1] .XXX = ±0.05 [1.3]		DGUITADAURO	7/20/18
DASH	NEXT ASSY	DGUITADAURO	7/20/18
	USED ON		
APPLICATION		CUSTOMER APPROVAL	
CUSTOMER REFERENCE DOCUMENT:		TITLE	
		C6 JAM NUT SHLD SEALED EN w/ DUST CAP	
		SIZE	DRAWING NUMBER:
		A	T6C00025
		SCALE: NTS	SHEET 1 OF 1
		CAGE CODE: 42977	

MilesTek
Military | Aerospace | Communications | Maritime

MILESTEK CORPORATION
301 LEORA LANE, SUITE 100
LEWISVILLE, TX 75056
PHONE: (940) 484-9400
FAX: (940) 566-1047