

PROPRIETARY NOTICE

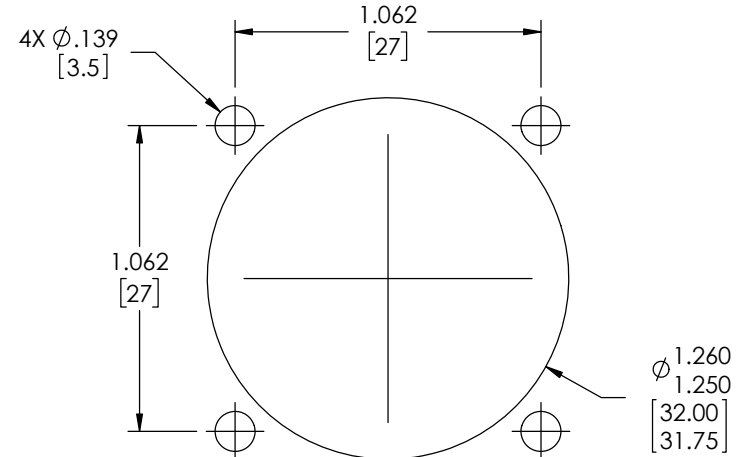
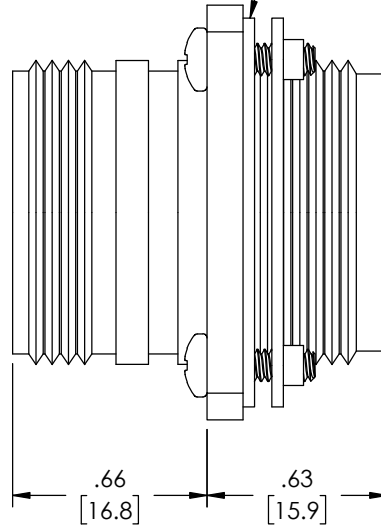
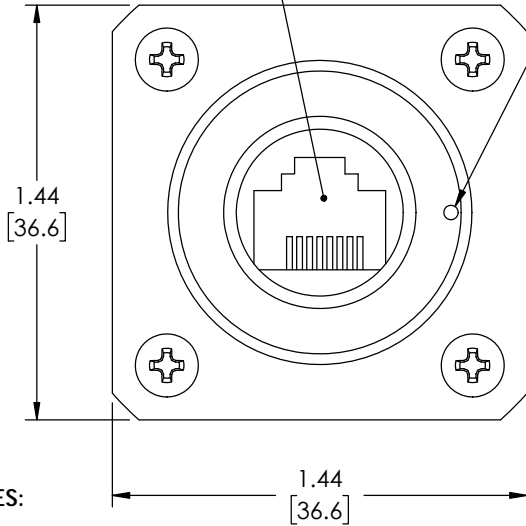
This document discloses confidential subject matter in which MilesTek Corporation and its subsidiaries have proprietary rights. Neither receipt nor possession thereof confers or transfers any right to reproduce or disclose the document, any part thereof, any information contained therein, or any physical article or device, or to practice any method or process, except by written permission from, or written agreement with MilesTek Corporation and its subsidiaries.

REV	REVISIONS		
	DESCRIPTION	DATE	APPROVED
A	REV A DRAWING RELEASED	06/27/2018	BPUCHASKI

RJ45 (8X8)
FEMALE
FRONT/BACK

REMOVABLE
GASKET

KEYING FEATURE



RECOMMENDED
PANEL CUTOUT
PANEL THICKNESS
.188/.062"

NOTES:

- MATERIAL:
EXTERNAL PARTS: ALUMINUM, BLACK ANODIZED (BLACK)
INTERNAL PARTS: ALUMINUM
MISC. HARDWARE: STAINLESS STEEL
SEALS: SILICONE
- RATED IP-68
PERFORMANCE MEETS OR EXCEEDS CATEGORY 6 ANSI/EIA 568-C.
- KIT INCLUDES:
(1) DUST CAP WITH LANYARD
(1) MOUNTING BRACKET WITH (4) SELF-LOCKING NUTS
(1) GASKET
(4) SCREWS, PPH, SS, #4-40 X .375, SELF-SEALING
- ALL DIMENSIONS ARE FOR REFERENCE ONLY.
- COMPONENT SHALL BE INDIVIDUALLY PACKAGED IN ACCORDANCE WITH MILESTEK SPECIFICATION PS-0054. SHIPS UNASSEMBLED.

REGULATORY COMPLIANCE:
CE2011/65/EU(RoHS DIRECTIVE)

NON CONTROLLED DRAWING IF PRINTED

CAD SYSTEM DRAWING - DO NOT REVISE MANUALLY					
UNLESS OTHERWISE SPECIFIED ALL DIMENSIONS ARE IN INCHES			SIGNATURE	DATE	 MILESTEK CORPORATION 301 LEORA LANE, SUITE 100 LEWISVILLE, TX 75056 PHONE: (940) 484-9400 FAX: (940) 566-1047
OVERALL CABLE LENGTH TOLERANCE: ≤12 [305] = +1 [25] / -0 >12 [305] ≤60 [1524] = +2 [51] / -0 >60 [1524] ≤120 [3048] = +4 [102] / -0 >120 [3048] ≤300 [7620] = +6 [152] / -0 >300 [7620] = +5% / -0%			DRAWN BY: BPUCHASKI	06/27/2018	
ALL OTHER DIMENSIONAL TOLERANCES: .X = ±.2 [5.08] .XX = ±.02 [5.1] .XXX = ±.005 [13]			CHECKED BY: DGUITADAURO	06/27/2018	TITLE C6 FLNG MNT ANOD W/HW
DASH NEXT ASSY USED ON			APPROVED ENGINEERING: D.GUITADAURO	06/27/18	SIZE A
APPLICATION			APPROVED MANUFACTURING:	CUSTOMER APPROVAL	DRAWING NUMBER: T6C00021
CUSTOMER REFERENCE DOCUMENT:			CAGE CODE: 42977	SCALE: NTS	SHEET 1 OF 1