

8

7

6

5

4

3

2

1

PROPRIETARY NOTICE

This document discloses confidential subject matter in which MilesTek Corporation and its subsidiaries have proprietary rights. Neither receipt nor possession thereof confers or transfers any right to reproduce or disclose the document, any part thereof, any information contained therein, or any physical article or device, or to practice any method or process, except by written permission from, or written agreement with MilesTek Corporation and its subsidiaries.

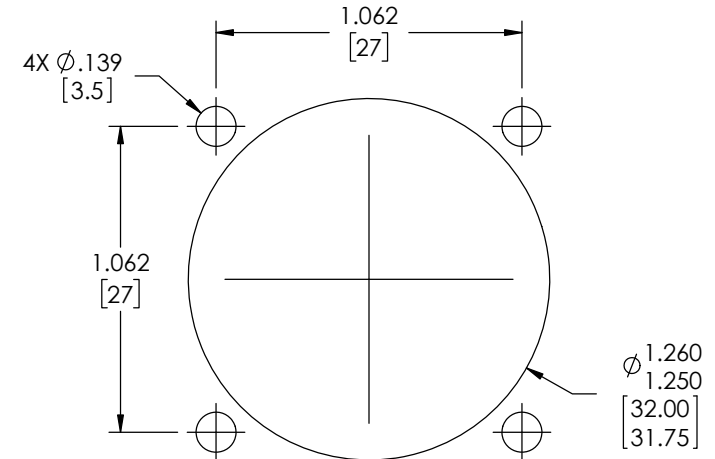
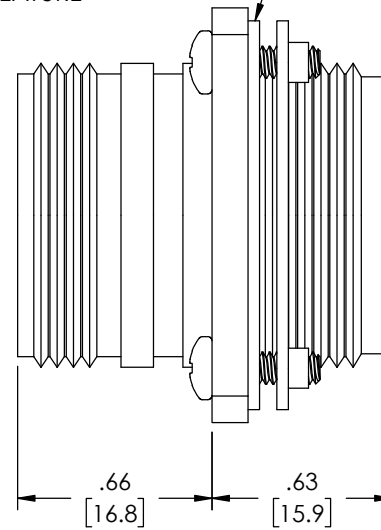
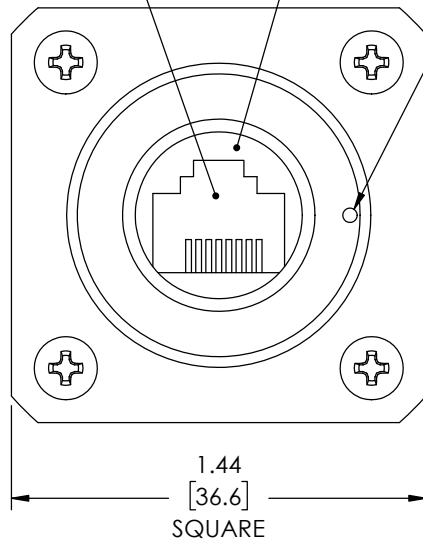
REV	REVISIONS		
	DESCRIPTION	DATE	APPROVED
A	REV A DRAWING RELEASED	06/26/2018	BPUCHASKI

RJ45 (8X8)
FEMALE
FRONT/BACK

EMI SHIELD
(FRONT/BACK)

KEYING FEATURE

REMOVABLE
EMI GASKET



RECOMMENDED
PANEL CUTOUT
PANEL THICKNESS
.188/.062"

NOTES:

- MATERIAL:
EXTERNAL PARTS: ALUMINUM, ZINC NICKEL (OLIVE DRAB)
INTERNAL PARTS: ALUMINUM
MISC. HARDWARE: STAINLESS STEEL
SEALS: SILICONE/NITRILE
LANYARD: STAINLESS STEEL (NYLON COAT)
LENGTH APPROXIMATELY 6.0"
 - RATED IP-68
PERFORMANCE MEETS OR EXCEEDS CATEGORY 6 ANSI/EIA 568-C.
 - KIT INCLUDES:
(1) MOUNTING BRACKET WITH (4) SELF-LOCKING NUTS
(1) GASKET
(4) SCREWS, PPH, SS, #4-40 X .375, SELF-SEALING
 - ALL DIMENSIONS ARE FOR REFERENCE ONLY.
 - COMPONENT SHALL BE INDIVIDUALLY PACKAGED IN ACCORDANCE WITH MILESTEK SPECIFICATION PS-0054. SHIPS UNASSEMBLED.
- REGULATORY COMPLIANCE:**
CE2011/65/EU(RoHS DIRECTIVE)

NON CONTROLLED DRAWING IF PRINTED

CAD SYSTEM DRAWING - DO NOT REVISE MANUALLY					
UNLESS OTHERWISE SPECIFIED ALL DIMENSIONS ARE IN INCHES		SIGNATURE	DATE	MilesTek Military Aerospace Communications Software	
OVERALL CABLE LENGTH TOLERANCE: ≤12 [305] = +1 [25] / -0 >12 [305] ≤60 [1524] = +2 [51] / -0 >60 [1524] ≤120 [3048] = +4 [102] / -0 >120 [3048] ≤300 [7620] = +6 [152] / -0 >300 [7620] = +5% / -0%		DRAWN BY: BPUCHASKI	06/26/2018	MILESTEK CORPORATION 301 LEORA LANE, SUITE 100 LEWISVILLE, TX 75056 PHONE: (940) 484-9400 FAX: (940) 566-1047	
ALL OTHER DIMENSIONAL TOLERANCES: .X = ±.2 [5.08] .XX = ±.02 [1.51] .XXX = ±.005 [1.3]		CHECKED BY: D.GUITADAURO	06/26/2018	TITLE C6 FLNG MNT SHLD ZNNI W/HW	
CUSTOMER REFERENCE DOCUMENT:		APPROVED ENGINEERING: D.GUITADAURO	06/26/2018	DRAWING NUMBER: T6C00020	
DASH	NEXT ASSY	USED ON	CUSTOMER APPROVAL	SCALE: NTS	
APPLICATION			CAGE CODE: 42977	SHEET 1 OF 1	

8

7

6

5

4

3

2

1