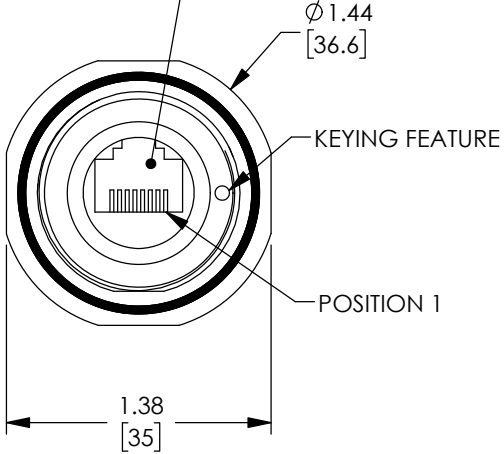


PROPRIETARY NOTICE

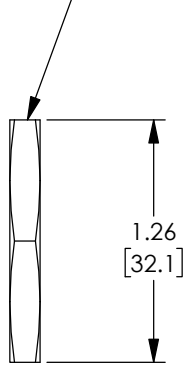
This document discloses confidential subject matter in which MilesTek Corporation and its subsidiaries have proprietary rights. Neither receipt nor possession thereof confers or transfers any right to reproduce or disclose the document, any part thereof, any information contained therein, or any physical article or device, or to practice any method or process, except by written permission from, or written agreement with MilesTek Corporation and its subsidiaries.

REV	REVISIONS		
	DESCRIPTION	DATE	APPROVED
A	REV A DRAWING RELEASED	06/26/2018	BPUCHASKI

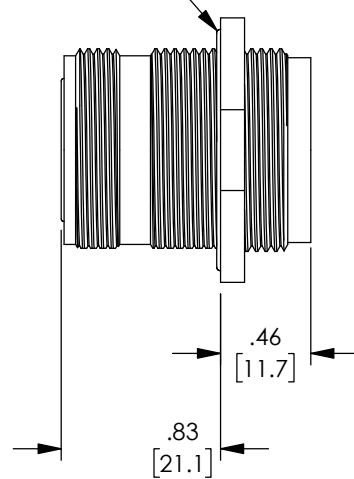
RJ45 JACK (8P8C)
FRONT & BACK



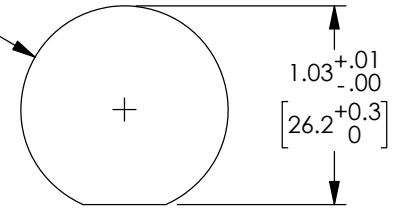
HEX NUT



PANEL GASKET



$\phi 1.08$
[27.4]



RECOMMENDED
PANEL CUTOUT
PANEL THICKNESS: .188"/.062"

NOTES:

- MATERIAL:**
EXTERNAL PARTS: ALUMINUM/BLACK ANODIZED
INTERNAL PARTS: ALUMINUM
MISC. HARDWARE: STAINLESS STEEL
SEALS: SILICONE/NITRILE
- MISCELLANEOUS:**
RATING: IP-68
PERFORMANCE MEETS OR EXCESS CATEGORY 6
ANSI/EIA 568-C.2 SPECIFICATIONS.
- ALL DIMENSIONS ARE FOR REFERENCE ONLY.
- COMPONENT SHALL BE INDIVIDUALLY PACKAGED
IN ACCORDANCE WITH MILESTEK SPECIFICATION PS-0054.

REGULATORY COMPLIANCE:
CE2011/65/EU (RoHS DIRECTIVE)

NON CONTROLLED DRAWING IF PRINTED

CAD SYSTEM DRAWING - DO NOT REVISE MANUALLY			
UNLESS OTHERWISE SPECIFIED ALL DIMENSIONS ARE IN INCHES		SIGNATURE	DATE
OVERALL CABLE LENGTH TOLERANCE: ≤12 [305] = +1 [25] / -0 >12 [305] ≤60 [1524] = +2 [51] / -0 >60 [1524] ≤120 [3048] = +4 [102] / -0 >120 [3048] ≤300 [7620] = +6 [152] / -0 >300 [7620] = +5% / -0%		DRAWN BY: BPUCHASKI	06/26/2018
ALL OTHER DIMENSIONAL TOLERANCES: .X = ±.2 [5.08] .XX = ±.02 [5.1] .XXX = ±.005 [1.3]		CHECKED BY: D.GUITADAURO	06/26/2018
DASH NEXT ASSY USED ON APPLICATION		APPROVED ENGINEERING: D.GUITADAURO	06/26/18
CUSTOMER REFERENCE DOCUMENT:		APPROVED MANUFACTURING:	CUSTOMER APPROVAL
CAGE CODE: 4Z977		TITLE C6 JAM NUT SEALED ANOD	
SCALE: NTS		SIZE A	DRAWING NUMBER: T6C00011
SHEET 1 OF 1		MILESTEK CORPORATION 301 LEORA LANE, SUITE 100 LEWISVILLE, TX 75056 PHONE: (940) 484-9400 FAX: (940) 566-1047	