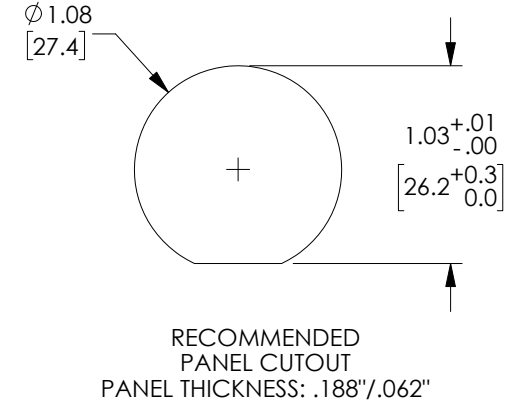
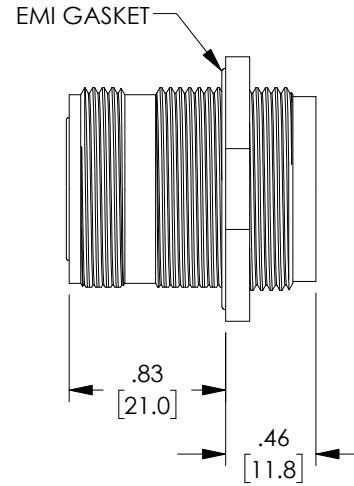
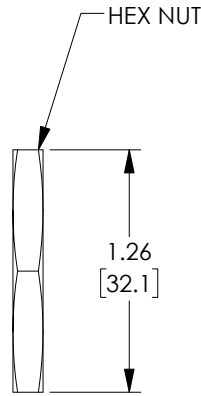
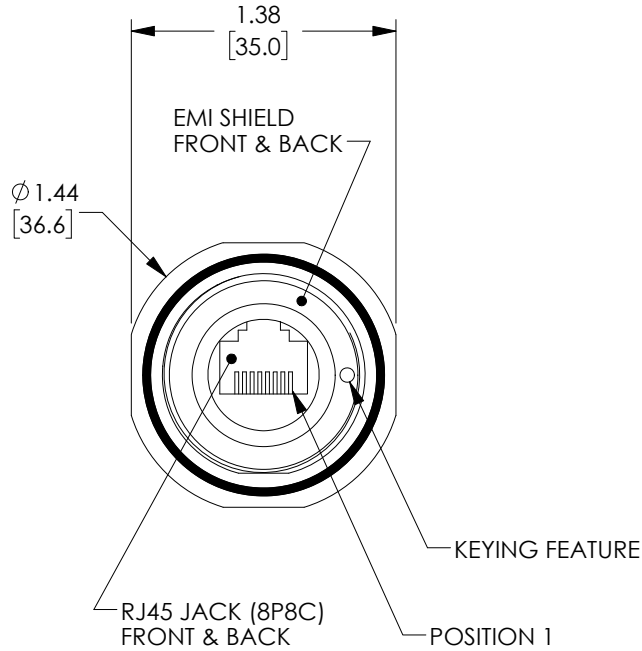


PROPRIETARY NOTICE

This document discloses confidential subject matter in which MilesTek Corporation and its subsidiaries have proprietary rights. Neither receipt nor possession thereof confers or transfers any right to reproduce or disclose the document, any part thereof, any information contained therein, or any physical article or device, or to practice any method or process, except by written permission from, or written agreement with MilesTek Corporation and its subsidiaries.

REV	REVISIONS		
	DESCRIPTION	DATE	APPROVED
A	REV A DRAWING RELEASED	06/26/2018	BPUCHASKI



NOTES:

- MATERIAL:
EXTERNAL PARTS: ALUMINUM/ZINC-NICKEL (OLIVE DRAB)
INTERNAL PARTS: ALUMINUM
MISC. HARDWARE: STAINLESS STEEL
SEALS: SILICONE/NITRILE
- MISCELLANEOUS:
RATING: IP-68
PERFORMANCE MEETS OR EXCESS CATEGORY 6 ANSI/EIA 568-C.2 SPECIFICATIONS.
- ALL DIMENSIONS ARE FOR REFERENCE ONLY.
- COMPONENT SHALL BE INDIVIDUALLY PACKAGED IN ACCORDANCE WITH MILESTEK SPECIFICATION PS-0054

NON CONTROLLED DRAWING IF PRINTED

CAD SYSTEM DRAWING - DO NOT REVISE MANUALLY			
UNLESS OTHERWISE SPECIFIED ALL DIMENSIONS ARE IN INCHES		SIGNATURE	DATE
OVERALL CABLE LENGTH TOLERANCE: ≤12 [305] = +1 [25] / -0 >12 [305] ≤60 [1524] = +2 [51] / -0 >60 [1524] ≤120 [3048] = +4 [102] / -0 >120 [3048] ≤300 [7620] = +6 [152] / -0 >300 [7620] = +5% / -0%		DRAWN BY: BPUCHASKI	06/26/2018
ALL OTHER DIMENSIONAL TOLERANCES: .X = ±.2 [5.08] .XX = ±.02 [5.1] .XXX = ±.005 [1.3]		CHECKED BY: D.GUITADAURO	06/26/2018
DASH	NEXT ASSY	USED ON	CUSTOMER APPROVAL
APPLICATION		CUSTOMER REFERENCE DOCUMENT:	CAGE CODE: 42977
MilesTek		MILESTEK CORPORATION 301 LEORA LANE, SUITE 100 LEWISVILLE, TX 75056 PHONE: (940) 484-9400 FAX: (940) 566-1047	
TITLE		DRAWING NUMBER:	
C6 JAM NUT SHLD SEALED ZNNI		T6C00010	
SCALE: NTS		SHEET 1 OF 1	