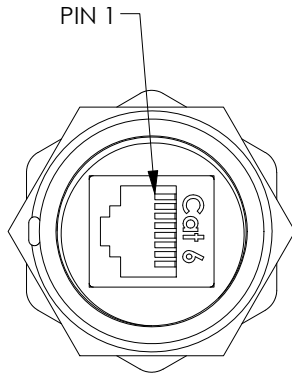
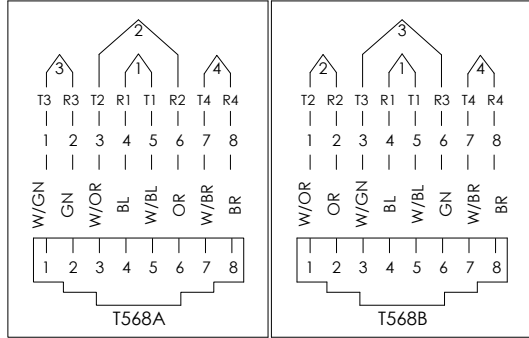
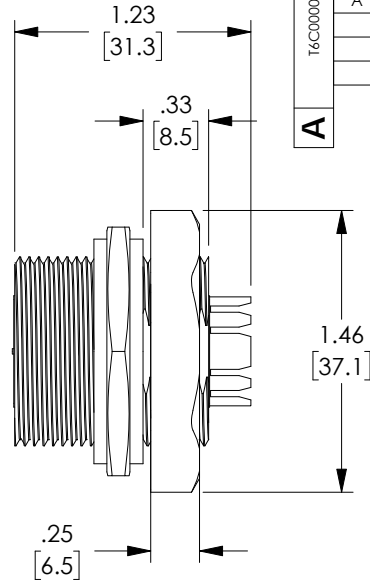


PROPRIETARY NOTICE

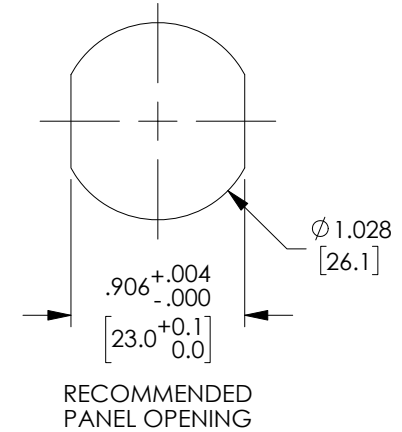
This document discloses confidential subject matter in which MilesTek Corporation and its subsidiaries have proprietary rights. Neither receipt nor possession thereof confers or transfers any right to reproduce or disclose the document, any part thereof, any information contained therein, or any physical article or device, or to practice any method or process, except by written permission from, or written agreement with MilesTek Corporation and its subsidiaries.



DUST CAP AND LANYARD NOT SHOWN



REVISIONS			
REV	DESCRIPTION	DATE	APPROVED
A	INITIAL RELEASE	4/23/18	D.FRISIELLO



RECOMMENDED PANEL OPENING

NOTES:

**MATERIAL:**  
 MAIN BODY: PBT + GF, UL94V-0  
 SHIELDED CASE: BRASS, NICKEL PLATED  
 JACK HOUSING: PC, UL94V-0  
 JACK CONTACTS: PHOSPHOR BRONZE, 50μ GOLD PLATED.  
 IDC PLASTIC: PC, UL94V-0  
 IDC TERMINALS: PHOSPHOR BRONZE, TIN OVER NICKEL UNDERCOAT.

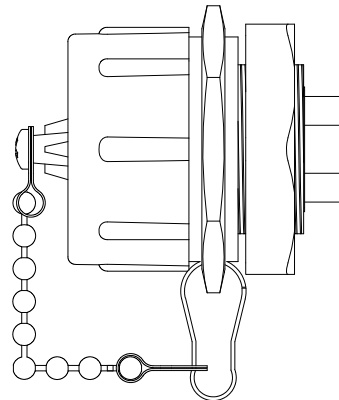
**PHYSICAL CHARACTERISTICS:**  
 SUITABLE IMPACT TOOL: 110 STYLE PUNCH DOWN TOOL  
 110 PUNCH DOWN ACCOMMODATES: 22 TO 24 AWG SOLID  
 INSERTION LIFE: 750 MATING CYCLES  
 CONTACT FORCE: 100 GRAMS  
 PLUG RETENTION FORCE: 11 LBF MIN.  
 OPERATING TEMPERATURE RANGE: -10 °C TO +60 °C.  
 STORAGE TEMPERATURE RANGE: -40 °C TO +68 °C.  
 HUMIDITY: 10% ~ 90% RH  
 IP RATING: IP67-WHEN DUST CAP IS ENGAGED.

**ELECTRICAL:**  
 INSULATION RESISTANCE: 500 MΩ  
 DIELECTRIC WITHSTANDING VOLTAGE: 1000 V AC.  
 DC CURRENT RATING: 1.5 AMPS.  
 DC RESISTANCE: 0.1 Ω  
 CONTACT RESISTANCE: 20mΩ

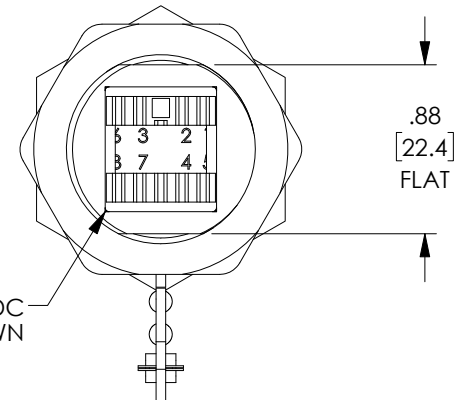
**PACKAGING:**  
 COUPLER SHALL BE INDIVIDUALLY PACKAGED IN ACCORDANCE WITH MILESTEK SPECIFICATION PS-0054.

**STANDARDS:**  
 FOR APPLICATIONS UP TO CATEGORY 6.  
 ACCORDING TO: ANSI/TIA-568-C.2; ISO/IEC 11801 (2nd EDITION); IEC 60603-7  
 COMPLIANT TO: IEEE 802.3 AT POWER OVER ETHERNET PLUS (PoE+) APPLICATION IEC 60512-99-001 MATING AND UN-MATING CONNECTORS UNDER ELECTRICAL LOAD.

**REGULATORY COMPLIANCE:**  
 CE2011/65/EU(RoHS DIRECTIVE)



REMOVABLE IDC CAP NOT SHOWN



NON CONTROLLED DRAWING IF PRINTED

AS9100C CERTIFIED			CAD SYSTEM DRAWING - DO NOT REVISE MANUALLY			
UNLESS OTHERWISE SPECIFIED ALL DIMENSIONS ARE IN INCHES			SIGNATURE	DATE	MilesTek MILESTEK CORPORATION 1506 INTERSTATE 35 WEST DENTON, TX 76207 PHONE: 866.524.1553 FAX: 940.591.7086	
OVERALL CABLE LENGTH TOLERANCE: ≤12 [305] = +1 [25] / -0 >12 [305] ≤60 [1524] = +2 [51] / -0 >60 [1524] ≤120 [3048] = +4 [102] / -0 >120 [3048] ≤300 [7620] = +6 [152] / -0 >300 [7620] = +5% / -0%			DRAWN BY: D.FRISIELLO	4/20/18	TITLE C6 RJ45/110 IP67 BLKHD PoE+ BLKHD W/DST CAP SHLD	
ALL OTHER DIMENSIONAL TOLERANCES: .X = ±.2 [5.08] .XX = ±.02 [5.1] .XXX = ±.005 [13]			CHECKED BY: D.GUITADAURO	4/23/18	DRAWING NUMBER: T6C00006	
CUSTOMER REFERENCE DOCUMENT:			APPROVED ENGINEERING: D.GUITADAURO	4/23/18	SCALE: NTS	
DASH	NEXT ASSY	USED ON	CUSTOMER APPROVAL	CAGE CODE: 42977		
APPLICATION			SHEET 1 OF 1			