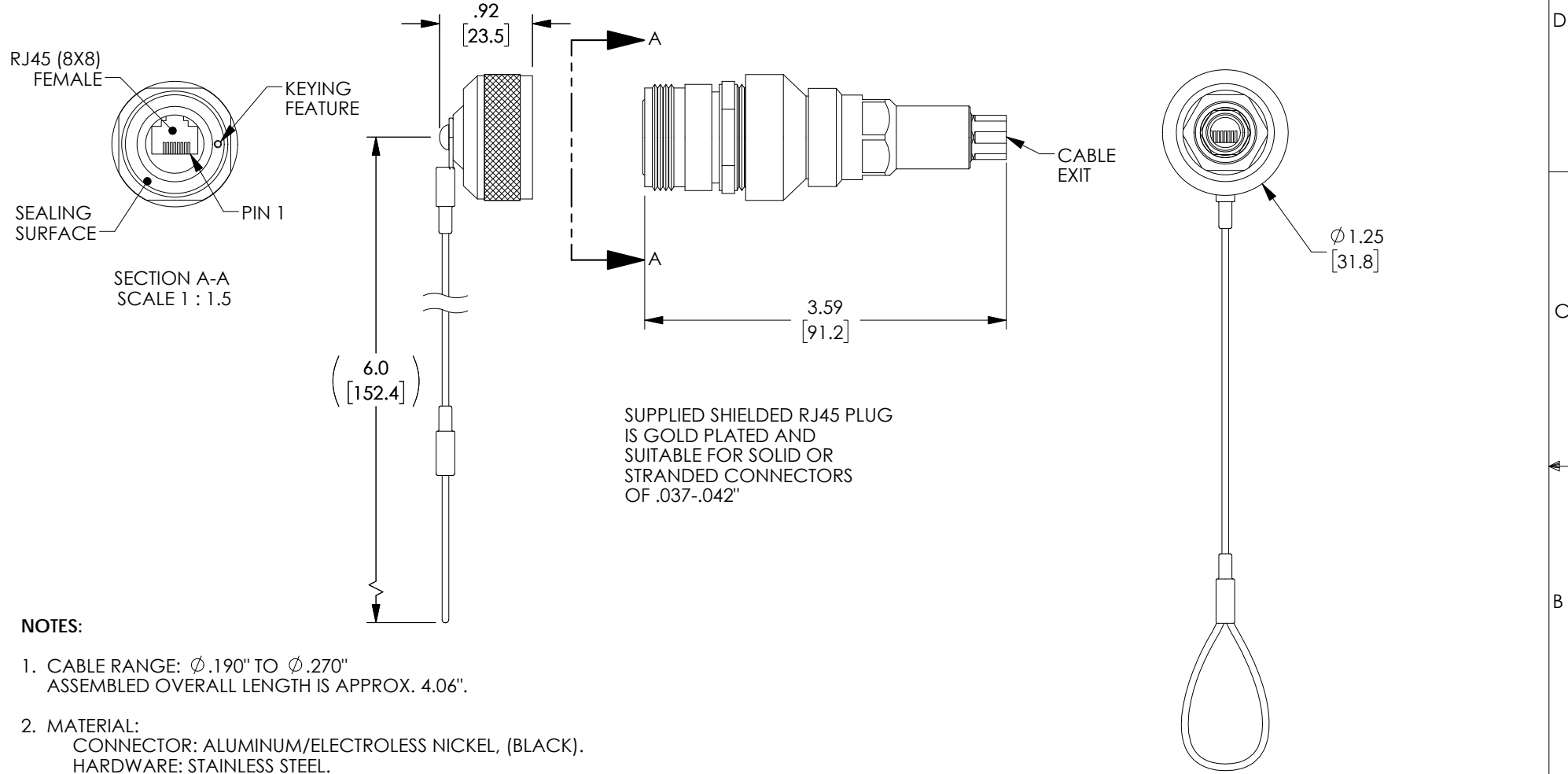


PROPRIETARY NOTICE

This document discloses confidential subject matter in which MilesTek Corporation and its subsidiaries have proprietary rights. Neither receipt nor possession thereof confers or transfers any right to reproduce or disclose the document, any part thereof, any information contained therein, or any physical article or device, or to practice any method or process, except by written permission from, or written agreement with MilesTek Corporation and its subsidiaries.

REVISONS			
REV	DESCRIPTION	DATE	APPROVED
A	REV A DRAWING RELEASED	7/20/18	DFRISIELLO



NOTES:

- CABLE RANGE:  $\phi$ .190" TO  $\phi$ .270"  
ASSEMBLED OVERALL LENGTH IS APPROX. 4.06".
- MATERIAL:  
CONNECTOR: ALUMINUM/ELECTROLESS NICKEL, (BLACK).  
HARDWARE: STAINLESS STEEL.  
SEALS: SILICONE/NITRILE.  
LANYARD: STAINLESS STEEL (NYLON COATED).
- RATED IP-68.  
PERFORMANCE MEETS OR EXCEEDS CATEGORY 6 ANSI/EIA 568-C.
- ALL DIMENSIONS ARE FOR REFERENCE ONLY.
- COMPONENT SHALL BE INDIVIDUALLY PACKAGED IN ACCORDANCE WITH MILESTEK SPECIFICATION PS-0054. SHIPS UNASSEMBLED.

**REGULATORY COMPLIANCE:**  
CE2011/65/EU(RoHS DIRECTIVE)

**NON CONTROLLED DRAWING IF PRINTED**

CAD SYSTEM DRAWING - DO NOT REVISE MANUALLY					
UNLESS OTHERWISE SPECIFIED ALL DIMENSIONS ARE IN INCHES			SIGNATURE	DATE	 MILESTEK CORPORATION 301 LEORA LANE, SUITE 100 LEWISVILLE, TX 75056 PHONE: (940) 484-9400 FAX: (940) 566-1047
OVERALL CABLE LENGTH TOLERANCE: ≤12 [305] = +1 [25] / -0 >12 [305] ≤60 [1524] = +2 [51] / -0 >60 [1524] ≤120 [3048] = +4 [102] / -0 >120 [3048] ≤300 [7620] = +6 [152] / -0 >300 [7620] = +5% / -0%			DRAWN BY: DFRISIELLO	7/20/18	
ALL OTHER DIMENSIONAL TOLERANCES: .X = ±.2 [5.08] .XX = ±.02 [5.1] .XXX = ±.005 [13]			CHECKED BY: DGUITADAURO	7/20/18	SIZE <b>A</b>
DASH NEXT ASSY USED ON			APPROVED ENGINEERING: DGUITADAURO	7/20/18	
APPLICATION			CUSTOMER APPROVAL	CUSTOMER REFERENCE DOCUMENT:	SCALE: NTS
CAGE CODE: 42977			SHEET 1 OF 1		