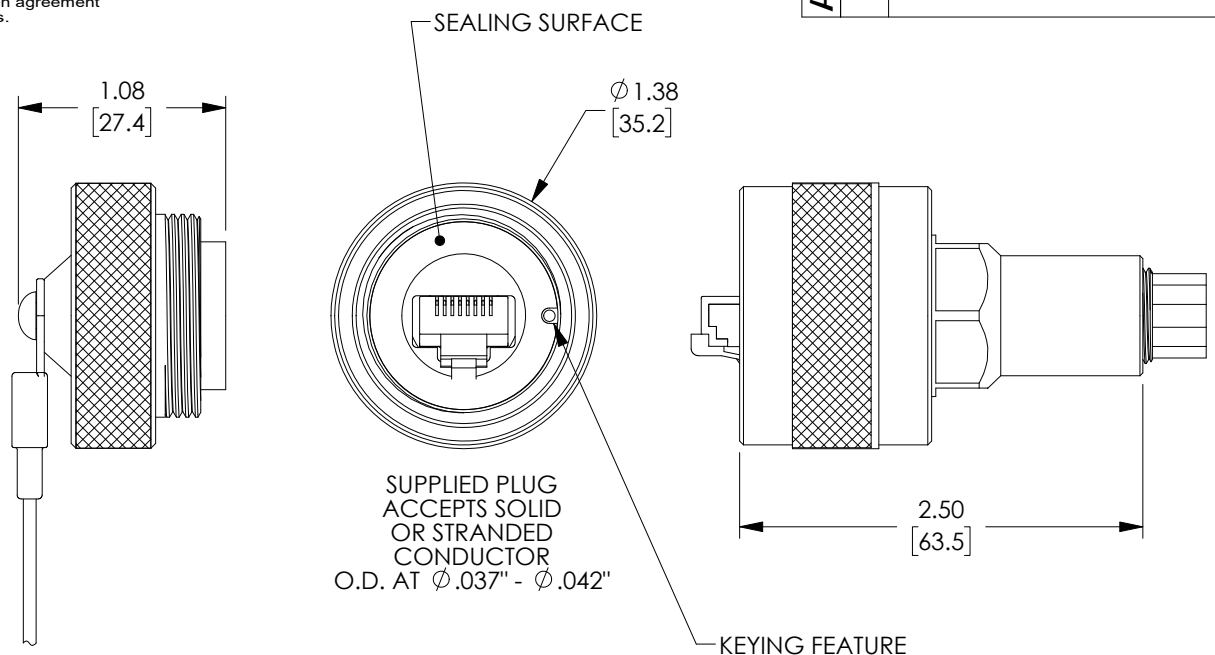


PROPRIETARY NOTICE

This document discloses confidential subject matter in which MilesTek Corporation and its subsidiaries have proprietary rights. Neither receipt nor possession thereof confers or transfers any right to reproduce or disclose the document, any part thereof, any information contained therein, or any physical article or device, or to practice any method or process, except by written permission from, or written agreement with MilesTek Corporation and its subsidiaries.

REVISIONS			
REV	DESCRIPTION	DATE	APPROVED
A	REV A DRAWING RELEASED	7/20/18	DFRISIELLO



NOTES:

- CABLE RANGE: .190" / .270"
- ASSEMBLED OVERALL LENGTH IS APPROX. 3.3"
- MATERIALS AND FINISH:
EXTERNAL PARTS: ALUMINUM/ELECTROLESS NICKEL, (BLACK)
INTERNAL PARTS: ALUMINUM
MISCELLANEOUS HARDWARE: STAINLESS STEEL
SEAL: SILICONE
LANYARD: STAINLESS STEEL (NYLON COAT)
- LANYARD LENGTH: APPROXIMATELY 6.0"
- RATING: IP-68, WHEN MATED OR DUST CAP IS ENGAGED.
PERFORMANCE MEETS OR EXCEEDS CATEGORY 6 ANSI/EIA 568-C.2
- ALL DIMENSIONS ARE FOR REFERENCE ONLY.
- PARTS SHIPPED UNASSEMBLED.
- SUPPLIED PLUG FINISH, 50µIN GOLD OVER 100µIN NICKEL.
- COMPONENT SHALL BE INDIVIDUALLY PACKAGED IN ACCORDANCE WITH MILESTEK SPECIFICATION PS-0054

REGULATORY COMPLIANCE:
CE2011/65/EU(RoHS DIRECTIVE)

NON CONTROLLED DRAWING IF PRINTED

CAD SYSTEM DRAWING - DO NOT REVISE MANUALLY					
UNLESS OTHERWISE SPECIFIED ALL DIMENSIONS ARE IN INCHES		SIGNATURE	DATE	MilesTek Military Aerospace Communications Healthcare	
OVERALL CABLE LENGTH TOLERANCE: ≤12 [305] = +1 [25] / -0 >12 [305] ≤60 [1524] = +2 [51] / -0 >60 [1524] ≤120 [3048] = +4 [102] / -0 >120 [3048] ≤300 [7620] = +6 [152] / -0 >300 [7620] = +5% / -0%		DRAWN BY: DFRISIELLO	7/20/18	MILESTEK CORPORATION 301 LEORA LANE, SUITE 100 LEWISVILLE, TX 75056 PHONE: (940) 484-9400 FAX: (940) 566-1047	
ALL OTHER DIMENSIONAL TOLERANCES: .X = ±.2 [5.08] .XX = ±.02 [1.51] .XXX = ±.005 [1.31]		CHECKED BY: DGUTTADAURO	7/20/18	TITLE C6 PLUG EN .190-.270 DCAP	
CUSTOMER REFERENCE DOCUMENT:		APPROVED ENGINEERING: DGUTTADAURO	7/20/18	DRAWING NUMBER: T6B00013	
DASH	NEXT ASSY	USED ON	CUSTOMER APPROVAL	SCALE: NTS	
APPLICATION			CAGE CODE: 42977	SHEET 1 OF 1	