

8

7

6

5

4

3

2

1

PROPRIETARY NOTICE

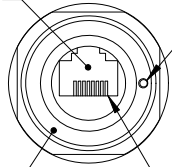
This document discloses confidential subject matter in which MilesTek Corporation and its subsidiaries have proprietary rights. Neither receipt nor possession thereof confers or transfers any right to reproduce or disclose the document, any part thereof, any information contained therein, or any physical article or device, or to practice any method or process, except by written permission from, or written agreement with MilesTek Corporation and its subsidiaries.

REV	REVISIONS		DATE	APPROVED
	DESCRIPTION			
A	REV A DRAWING RELEASED		06/25/2018	BPUCHASKI

D

RJ45 (8X8)
FEMALE

SEALING
SURFACE

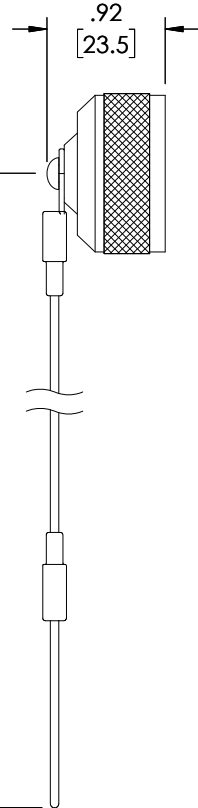


KEYING
FEATURE

PIN 1

SECTION A-A
SCALE 1 : 1.5

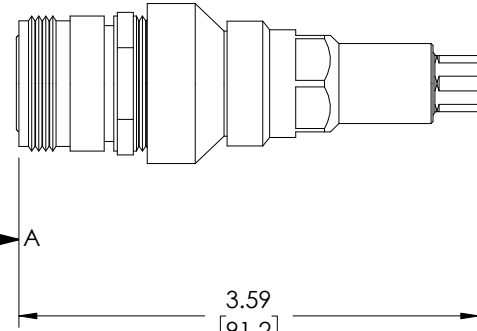
6.0
[152.4]



.92
[23.5]

A

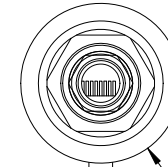
A



CABLE
EXIT

3.59
[91.2]

SUPPLIED RJ45 PLUG
SUITABLE FOR SOLID OR
STRANDED CONNECTORS
OF .037-.042"



Ø 1.25
[31.8]

D

C

B

NOTES:

- CABLE RANGE: ϕ .271" TO ϕ .330"
ASSEMBLED OVERALL LENGTH IS APPROX. 4.06".
- MATERIAL:
CONNECTOR: ALUMINUM, ANODIZED (BLACK).
HARDWARE: STAINLESS STEEL.
SEALS: SILICONE/NITRILE.
LANYARD: STAINLESS STEEL (NYLON COATED).
- RATED IP-68.
PERFORMANCE MEETS OR EXCEEDS CATEGORY 6 ANSI/EIA 568-C.
- ALL DIMENSIONS ARE FOR REFERENCE ONLY.
- COMPONENT SHALL BE INDIVIDUALLY PACKAGED IN ACCORDANCE WITH MILESTEK SPECIFICATION PS-0054. SHIPS UNASSEMBLED.

REGULATORY COMPLIANCE:
CE2011/65/EU(RoHS DIRECTIVE)

NON CONTROLLED DRAWING IF PRINTED

CAD SYSTEM DRAWING - DO NOT REVISE MANUALLY					
UNLESS OTHERWISE SPECIFIED ALL DIMENSIONS ARE IN INCHES			SIGNATURE	DATE	 MILESTEK CORPORATION 301 LEORA LANE, SUITE 100 LEWISVILLE, TX 75056 PHONE: (940) 484-9400 FAX: (940) 566-1047
OVERALL CABLE LENGTH TOLERANCE: ≤12 [305] = +1 [25] / -0 >12 [305] ≤60 [1524] = +2 [51] / -0 >60 [1524] ≤120 [3048] = +4 [102] / -0 >120 [3048] ≤300 [7620] = +6 [152] / -0 >300 [7620] = +5% / -0%			DRAWN BY: BPUCHASKI	06/25/2018	
ALL OTHER DIMENSIONAL TOLERANCES: .X = ±.2 [5.08] .XX = ±.02 [5.1] .XXX = ±.005 [1.3]			CHECKED BY: DGUITADAURO	06/25/2018	TITLE C6 RCP ANOD .271-.330 DCAP
DASH NEXT ASSY USED ON			APPROVED ENGINEERING: D.GUITADAURO	06/25/2018	
APPLICATION			APPROVED MANUFACTURING:		SIZE A
CUSTOMER REFERENCE DOCUMENT:			CUSTOMER APPROVAL		DRAWING NUMBER: T6B00011
			CAGE CODE: 42977		SCALE: NTS
					SHEET 1 OF 1

8

7

6

5

4

3

2

1

A

A