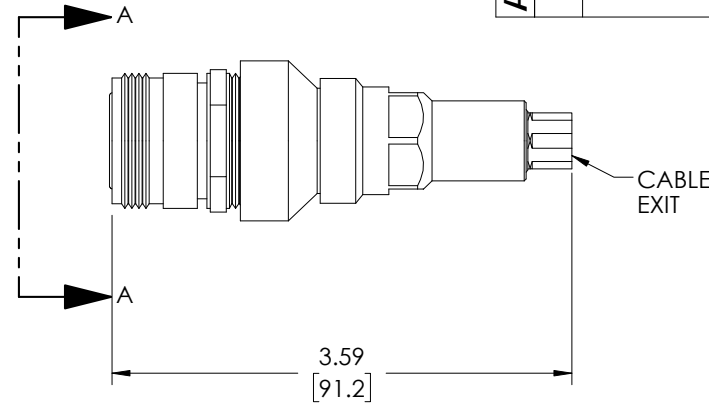
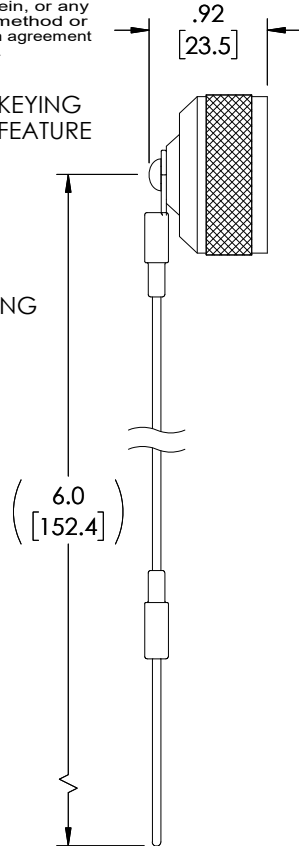
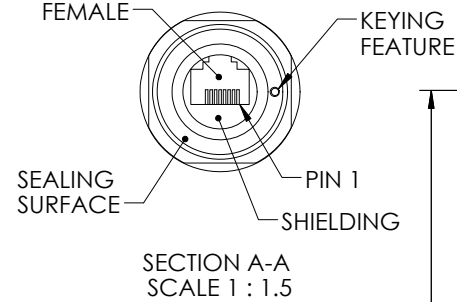


PROPRIETARY NOTICE

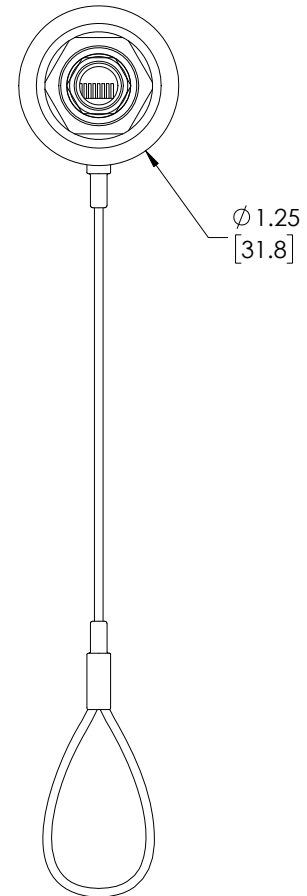
This document discloses confidential subject matter in which MilesTek Corporation and its subsidiaries have proprietary rights. Neither receipt nor possession thereof confers or transfers any right to reproduce or disclose the document, any part thereof, any information contained therein, or any physical article or device, or to practice any method or process, except by written permission from, or written agreement with MilesTek Corporation and its subsidiaries.

REVISIONS			
REV	DESCRIPTION	DATE	APPROVED
A	REV A DRAWING RELEASED	06/25/2018	BPUCHASKI

RJ45 (8X8)



SUPPLIED SHIELDED RJ45 PLUG IS GOLD PLATED AND SUITABLE FOR SOLID OR STRANDED CONNECTORS OF .037-.042"



NOTES:

- CABLE RANGE:  $\phi$ .190" TO  $\phi$ .270"  
ASSEMBLED OVERALL LENGTH IS APPROX. 4.06".
- MATERIAL:  
CONNECTOR: ALUMINUM, ZINC NICKEL (OLIVE DRAB).  
HARDWARE: STAINLESS STEEL.  
SEALS: SILICONE/NITRILE.  
LANYARD: STAINLESS STEEL (NYLON COATED).
- RATED IP-68.  
PERFORMANCE MEETS OR EXCEEDS CATEGORY 6 ANSI/EIA 568-C.
- ALL DIMENSIONS ARE FOR REFERENCE ONLY.
- COMPONENT SHALL BE INDIVIDUALLY PACKAGED IN ACCORDANCE WITH MILESTEK SPECIFICATION PS-0054. SHIPS UNASSEMBLED.

REGULATORY COMPLIANCE:  
2011/65/EU (RoHS DIRECTIVE)

NON CONTROLLED DRAWING IF PRINTED

CAD SYSTEM DRAWING - DO NOT REVISE MANUALLY					
UNLESS OTHERWISE SPECIFIED ALL DIMENSIONS ARE IN INCHES			SIGNATURE	DATE	 MILESTEK CORPORATION 301 LEORA LANE, SUITE 100 LEWISVILLE, TX 75056 PHONE: (940) 484-9400 FAX: (940) 564-1047
OVERALL CABLE LENGTH TOLERANCES: ≤12 [305] = +1 [25] / -0 >12 [305] ≤60 [1524] = +2 [51] / -0 >60 [1524] ≤120 [3048] = +4 [102] / -0 >120 [3048] ≤300 [7620] = +6 [152] / -0 >300 [7620] = +5% / -0%			DRAWN BY: BPUCHASKI	06/25/2018	
ALL OTHER DIMENSIONAL TOLERANCES: .X = ±.2 [5.08] .XX = ±.02 [5.1] .XXX = ±.005 [1.3]			CHECKED BY: D.GUITADAURO	06/25/2018	TITLE C6 RCP SHLD ZNNI .190-270 DC
DASH NEXT ASSY USED ON			APPROVED ENGINEERING: D.GUITADAURO	06/25/2018	
APPLICATION			APPROVED MANUFACTURING:	CUSTOMER APPROVAL	SIZE <b>A</b>
CUSTOMER REFERENCE DOCUMENT:			CAGE CODE: 42977	DRAWING NUMBER: <b>T6B00010</b>	
			SCALE: NTS	SHEET 1 OF 1	