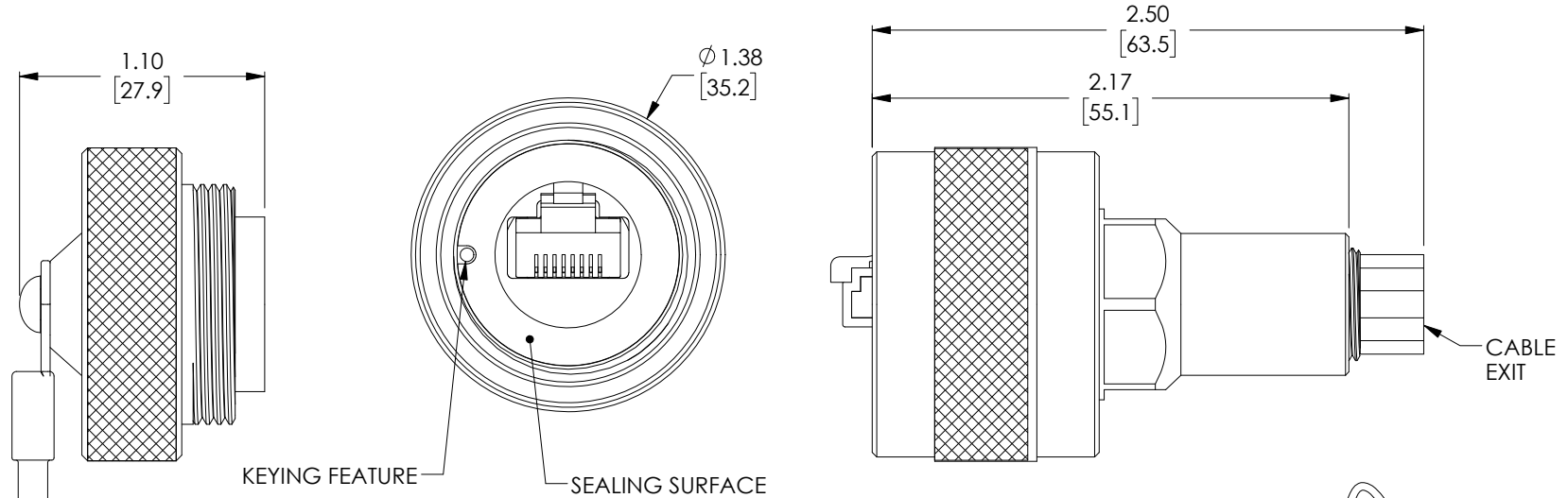


PROPRIETARY NOTICE

This document discloses confidential subject matter in which MilesTek Corporation and its subsidiaries have proprietary rights. Neither receipt nor possession thereof confers or transfers any right to reproduce or disclose the document, any part thereof, any information contained therein, or any physical article or device, or to practice any method or process, except by written permission from, or written agreement with MilesTek Corporation and its subsidiaries.

REV	REVISIONS		DATE	APPROVED
	DESCRIPTION			
A	REV A DRAWING RELEASED		06/25/2018	BPUCHASKI



SUPPLIED SHIELDED RJ45 PLUG IS GOLD PLATED AND SUITABLE FOR SOLID OR STRANDED CONNECTORS OF .037-.042"

NOTES:

- CABLE RANGE: .271" / .330"
- ASSEMBLED OVERALL LENGTH IS APPROX. 3.3"
- MATERIALS AND FINISH:  
EXTERNAL PARTS: ALUMINUM, ZINC NICKEL (OLIVE DRAB)  
INTERNAL PARTS: ALUMINUM  
MISCELLANEOUS HARDWARE: STAINLESS STEEL  
SEAL: SILICONE  
LANYARD: STAINLESS STEEL (NYLON COAT)
- LANYARD LENGTH: APPROXIMATELY 6.0"
- RATED IP-68 WHEN MATED OR CAPPED PROPERLY.  
PERFORMANCE MEETS OR EXCEEDS CATEGORY 6 ANSI/EIA 568-C.
- ALL DIMENSIONS ARE FOR REFERENCE ONLY.
- COMPONENT SHALL BE INDIVIDUALLY PACKAGED IN ACCORDANCE WITH MILESTEK SPECIFICATION PS-0054. SHIPS UNASSEMBLED.

REGULATORY COMPLIANCE:  
2011/65/EU(RoHS DIRECTIVE)

NON CONTROLLED DRAWING IF PRINTED

CAD SYSTEM DRAWING - DO NOT REVISE MANUALLY					
UNLESS OTHERWISE SPECIFIED ALL DIMENSIONS ARE IN INCHES		SIGNATURE	DATE	MilesTek Military   Aerospace   Communications   Industrial	
OVERALL CABLE LENGTH TOLERANCE: ≤12 [305] = +1 [25] / -0 >12 [305] ≤60 [1524] = +2 [51] / -0 >60 [1524] ≤120 [3048] = +4 [102] / -0 >120 [3048] ≤300 [7620] = +6 [152] / -0 >300 [7620] = +5% / -0%		DRAWN BY: BPUCHASKI	06/25/2018	MILESTEK CORPORATION 301 LEORA LANE, SUITE 100 LEWISVILLE, TX 75056 PHONE: (940) 484-9400 FAX: (940) 566-1047	
ALL OTHER DIMENSIONAL TOLERANCES: .X = ±.2 [5.08] .XX = ±.02 [1.51] .XXX = ±.005 [1.31]		CHECKED BY: DGUITADAURO	06/25/2018	TITLE C6 PLUG ZNNI .271-330 DCAP	
CUSTOMER REFERENCE DOCUMENT:		APPROVED ENGINEERING: D.GUITARAURO	07/11/18	DRAWING NUMBER: T6B00007	
DASH	NEXT ASSY	USED ON	CUSTOMER APPROVAL	SCALE: NTS	
APPLICATION			CAGE CODE: 42977	SHEET 1 OF 1	