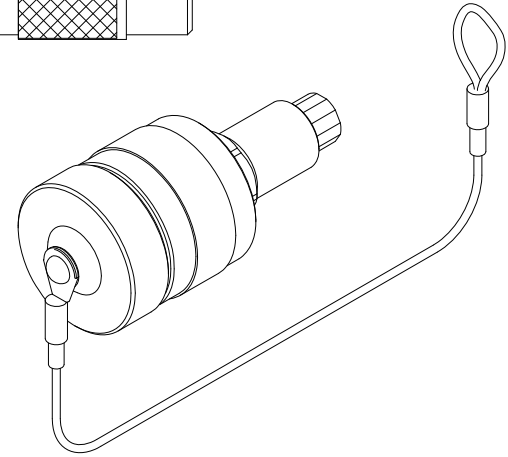
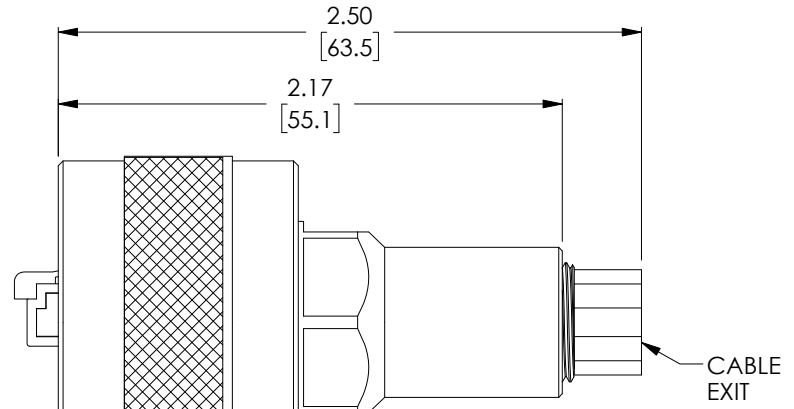
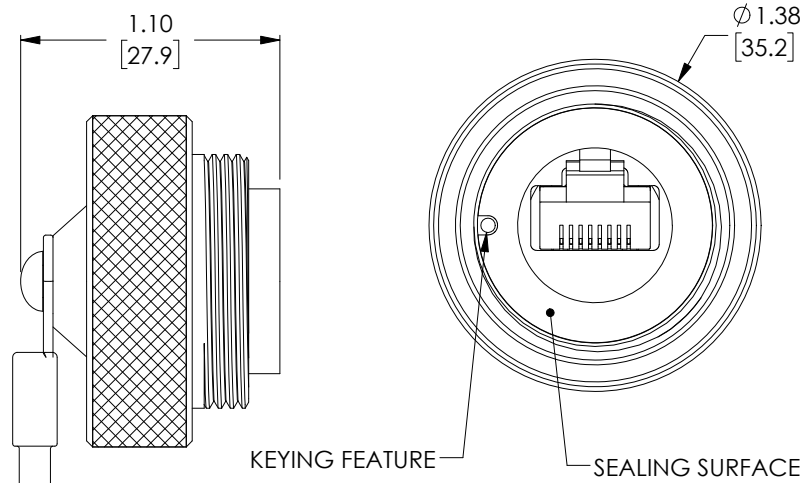


PROPRIETARY NOTICE

This document discloses confidential subject matter in which MilesTek Corporation and its subsidiaries have proprietary rights. Neither receipt nor possession thereof confers or transfers any right to reproduce or disclose the document, any part thereof, any information contained therein, or any physical article or device, or to practice any method or process, except by written permission from, or written agreement with MilesTek Corporation and its subsidiaries.

REV	REVISIONS		DATE	APPROVED
	DESCRIPTION			
A	REV A DRAWING RELEASED		06/25/2018	BPUCHASKI



NOTES:

1. CABLE RANGE: .190" / .270"
2. ASSEMBLED OVERALL LENGTH IS APPROX. 3.3"
3. MATERIALS AND FINISH:
 EXTERNAL PARTS: ALUMINUM, ANODIZED (BLACK)
 INTERNAL PARTS: ALUMINUM
 MISCELLANEOUS HARDWARE: STAINLESS STEEL
 SEAL: SILICONE
 LANYARD: STAINLESS STEEL (NYLON COAT)
4. LANYARD LENGTH: APPROXIMATELY 6.0"
5. RATED IP-68 WHEN MATED OR CAPPED PROPERLY.
 PERFORMANCE MEETS OR EXCEEDS CATEGORY 6 ANSI/EIA 568-C.
6. ALL DIMENSIONS ARE FOR REFERENCE ONLY.
7. COMPONENT SHALL BE INDIVIDUALLY PACKAGED IN ACCORDANCE WITH MILESTEK SPECIFICATION PS-0054. SHIPS UNASSEMBLED.

REGULATORY COMPLIANCE:
 CE2011/65/EU(RoHS DIRECTIVE)

SUPPLIED RJ45 PLUG
 SUITABLE FOR SOLID OR
 STRANDED CONNECTORS
 OF .037-.042"

NON CONTROLLED DRAWING IF PRINTED

CAD SYSTEM DRAWING - DO NOT REVISE MANUALLY					
UNLESS OTHERWISE SPECIFIED ALL DIMENSIONS ARE IN INCHES		SIGNATURE	DATE	MilesTek 301 LEORA LANE, SUITE 100 LEWISVILLE, TX 75056 PHONE: (940) 484-9400 FAX: (940) 566-1047	
OVERALL CABLE LENGTH TOLERANCE: ≤12 [305] = +1 [25] / -0 >12 [305] ≤60 [1524] = +2 [51] / -0 >60 [1524] ≤120 [3048] = +4 [102] / -0 >120 [3048] ≤300 [7620] = +6 [152] / -0 >300 [7620] = +5% / -0%		DRAWN BY: BPUCHASKI	06/25/2018	TITLE C6 PLUG ANOD .190-.270 DCAP	
ALL OTHER DIMENSIONAL TOLERANCES: .X = ±.2 [5.08] .XX = ±.02 [5.1] .XXX = ±.005 [1.3]		CHECKED BY: DGUITADAURO	06/25/2018		
DASH NEXT ASSY USED ON		APPROVED ENGINEERING: D.GUITARAURO	06/25/2018	DRAWING NUMBER: T6B00006	
APPLICATION		CUSTOMER APPROVAL		SCALE: NTS	
CUSTOMER REFERENCE DOCUMENT:		CAGE CODE: 42977		SHEET 1 OF 1	