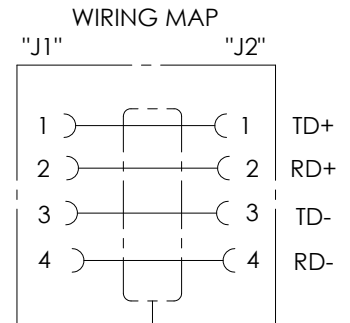
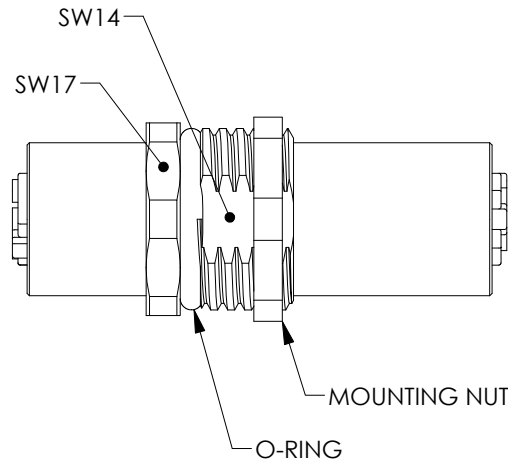
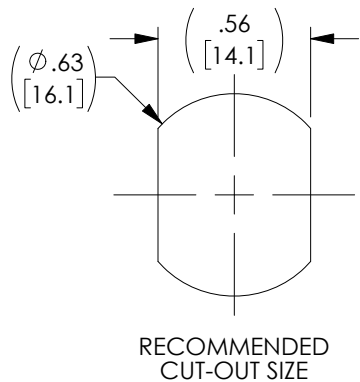
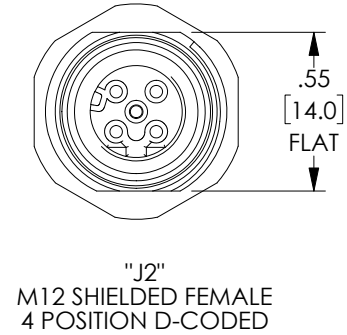
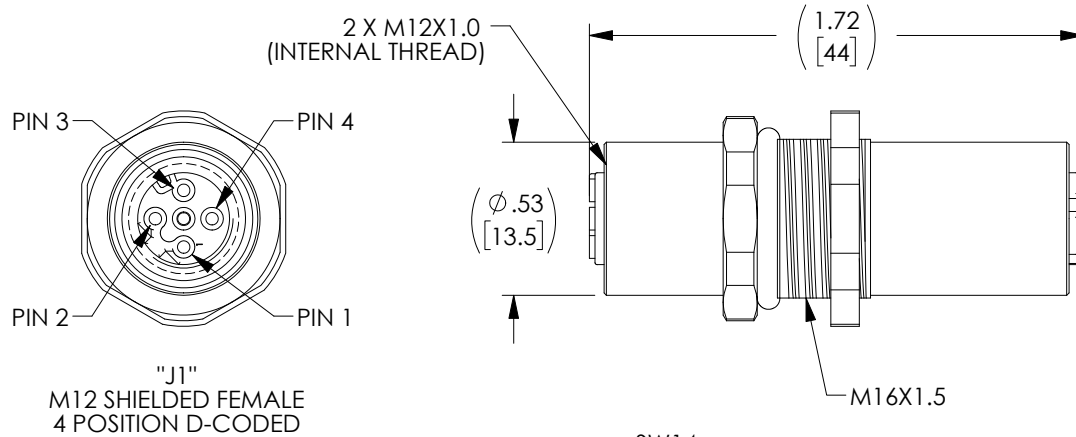


PROPRIETARY NOTICE

This document discloses confidential subject matter in which MilesTek Corporation and its subsidiaries have proprietary rights. Neither receipt nor possession thereof confers or transfers any right to reproduce or disclose the document, any part thereof, any information contained therein, or any physical article or device, or to practice any method or process, except by written permission from, or written agreement with MilesTek Corporation and its subsidiaries.

REVISIONS			
REV	DESCRIPTION	DATE	APPROVED
A	INITIAL RELEASE	05/31/2019	DFRISIELLO



NOTES:

MECHANICAL DATA:

- TEMP. RANGE: -25 °C TO +85 °C
- MATERIAL: CUZN, NICKEL PLATED
- PROTECTION: IP66K, IP67 (WHEN MATED AND TIGHTENED, EN 60529)

MISCELLANEOUS:

- NOMINAL VOLTAGE: MAX 60 V AC/DC
- RATED CURRENT: MAX 4A PER CONTACT
- CATEGORY: CATEGORY 5E (IEC 11801:2002)
- COMPONENT SHALL BE INDIVIDUALLY PACKAGED PER MILESTEK SPECIFICATION PS-0054.

UNLESS OTHERWISE SPECIFIED ALL DIMENSIONS ARE IN INCHES  OVERALL CABLE LENGTH TOLERANCE: ≤12 [305] = +1 [25] / -0 >12 [305] ≤60 [1524] = +2 [51] / -0 >60 [1524] ≤120 [3048] = +4 [102] / -0 >120 [3048] ≤300 [7620] = +6 [152] / -0 >300 [7620] = +5% / -0%  ALL OTHER DIMENSIONAL TOLERANCES: X = ± 2 [5.08] XX = ± .02 [51] XXX = ±.005 [13]  CUSTOMER REFERENCE DOCUMENT:	SIGNATURE DFRISIELLO	DATE 05/30/2019	<p>MILESTEK CORPORATION 301 LEORA LANE, SUITE 100 LEWISVILLE, TX 75056 PHONE: (940) 484-9400 FAX: (940) 566-1047</p>	
	CHECKED BY: DGUTTADAUR	DATE 05/31/2019		TITLE M12 4D-FF SHLD GENDER CHANGER
	APPROVED BY: DGUTTADAUR	DATE 05/31/2019		SIZE A
	CONFIGURATION DETAILS OF UNDIMENSIONED FEATURES MAY VARY			DRAWING NUMBER: T5C00029
CAGE CODE: 4Z977		SCALE: NTS	SHEET 1 OF 1	