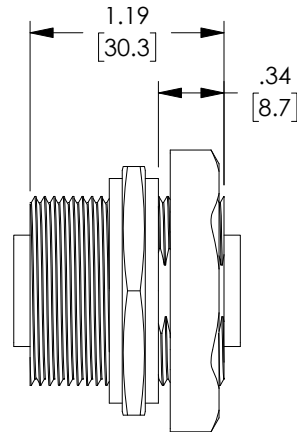


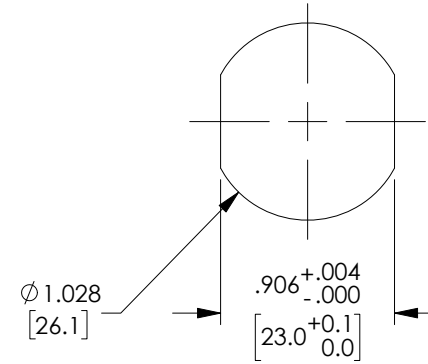
PROPRIETARY NOTICE

This document discloses confidential subject matter in which MilesTek Corporation and its subsidiaries have proprietary rights. Neither receipt nor possession thereof confers or transfers any right to reproduce or disclose the document, any part thereof, any information contained therein, or any physical article or device, or to practice any method or process, except by written permission from, or written agreement with MilesTek Corporation and its subsidiaries.

DUST CAP AND LANYARD NOT SHOWN



REVISIONS			
REV	DESCRIPTION	DATE	APPROVED
A	INITIAL RELEASE	4/23/18	D.FRISIELLO



RECOMMENDED PANEL OPENING

NOTES:

MATERIAL:

MAIN BODY: PBT + GF, UL94V-0
 SHIELDED CASE: BRASS, NICKEL PLATED
 COUPLER HOUSING: ABS, UL94V-0
 JACK CONTACTS: PHOSPHOR BRONZE, 50µ GOLD PLATED.

PHYSICAL CHARACTERISTICS:

INSERTION LIFE: 750 MATING CYCLES
 CONTACT FORCE: 100 GRAMS
 PLUG RETENTION FORCE: 1 ILBF MIN.
 OPERATING TEMPERATURE RANGE: -10 °C TO +60 °C.
 STORAGE TEMPERATURE RANGE: -40 °C TO +68 °C.
 HUMIDITY: 10% ~ 90% RH
 IP RATING: IP67-WHEN DUST CAP IS ENGAGED.

ELECTRICAL:

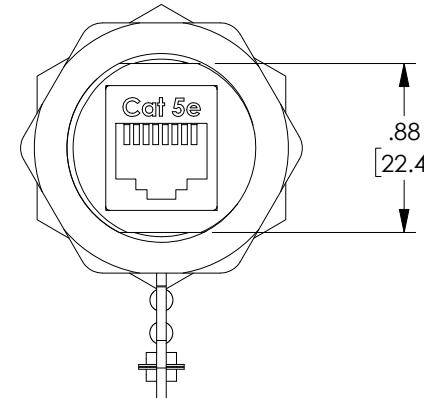
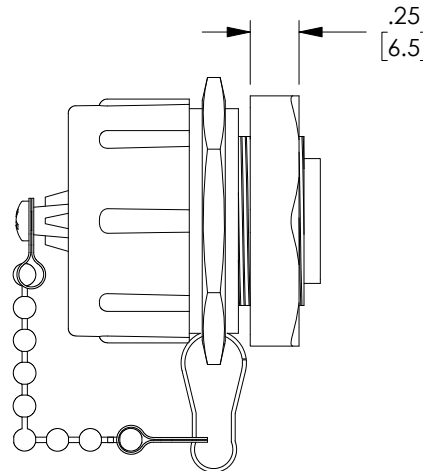
INSULATION RESISTANCE: 500 MΩ
 DIELECTRIC WITHSTANDING VOLTAGE: 1000 V AC.
 DC CURRENT RATING: 1.5 AMPS.
 DC RESISTANCE: 0.1 Ω
 CONTACT RESISTANCE: 20mΩ

PACKAGING:

COUPLER SHALL BE INDIVIDUALLY PACKAGED IN ACCORDANCE WITH MILESTEK SPECIFICATION PS-0054.

REGULATORY COMPLIANCE:

CE2011/65/EU (RoHS DIRECTIVE)



NON CONTROLLED DRAWING IF PRINTED

AS9100C CERTIFIED			CAD SYSTEM DRAWING - DO NOT REVISE MANUALLY			
UNLESS OTHERWISE SPECIFIED ALL DIMENSIONS ARE IN INCHES			SIGNATURE	DATE	MilesTek	
OVERALL CABLE LENGTH TOLERANCE: ≤12 [305] = +1 [25] / -0 >12 [305] ≤60 [1524] = +2 [51] / -0 >60 [1524] ≤120 [3048] = +4 [102] / -0 >120 [3048] ≤300 [7620] = +6 [152] / -0 >300 [7620] = +5% / -0%			DRAWN BY: D.FRISIELLO	4/20/18	MILESTEK CORPORATION 1506 INTERSTATE 35 WEST DENTON, TX 76207 PHONE: 866.524.1553 FAX: 940.591.7086	
ALL OTHER DIMENSIONAL TOLERANCES: .X = ±.2 [5.08] .XX = ±.02 [1.51] .XXX = ±.005 [1.3]			CHECKED BY: D.GUITADAURO	4/23/18	TITLE C5E RJ45 COUPLER IP67 BLKHD W/ DST CAP	
CUSTOMER REFERENCE DOCUMENT:			APPROVED ENGINEERING: D.GUITADAURO	4/23/18	DRAWING NUMBER: T5C00027	
DASH	NEXT ASSY	USED ON	CUSTOMER APPROVAL	SCALE: NTS		
APPLICATION			CAGE CODE: 42977	SHEET 1 OF 1		