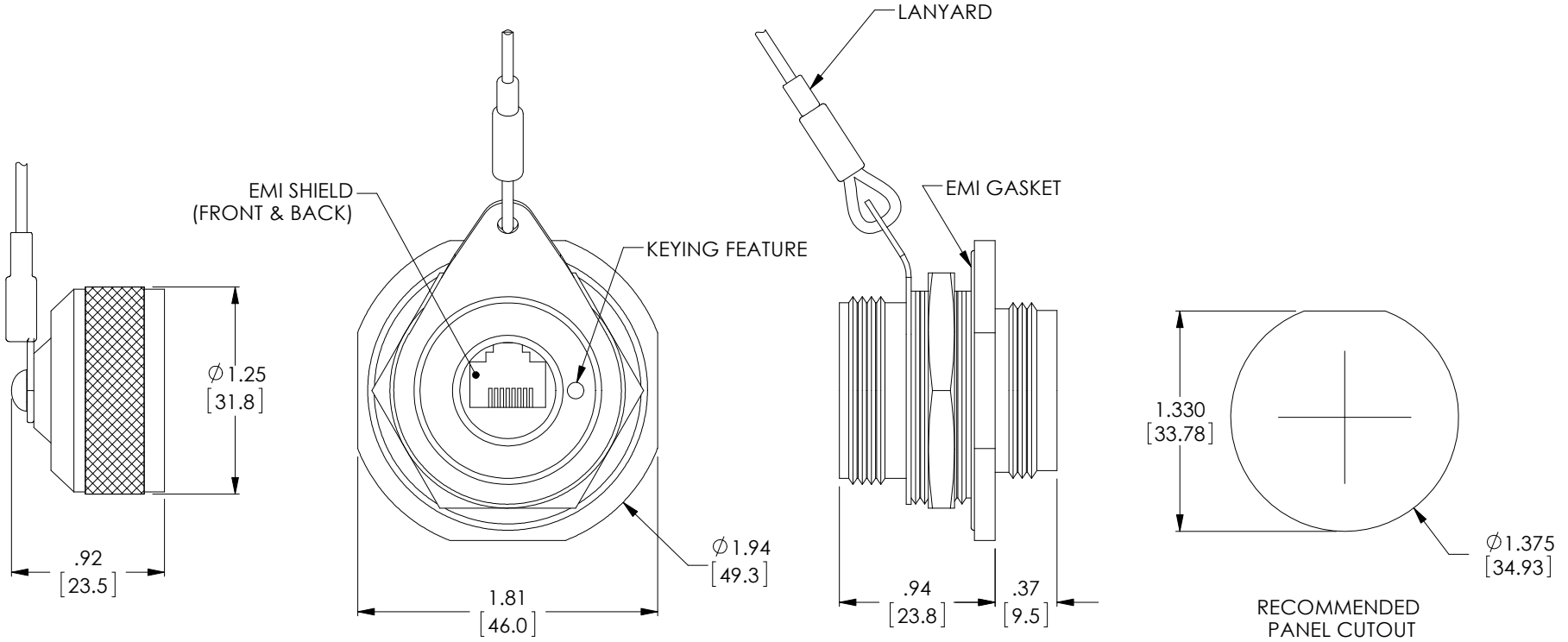


PROPRIETARY NOTICE

This document discloses confidential subject matter in which MilesTek Corporation and its subsidiaries have proprietary rights. Neither receipt nor possession thereof confers or transfers any right to reproduce or disclose the document, any part thereof, any information contained therein, or any physical article or device, or to practice any method or process, except by written permission from, or written agreement with MilesTek Corporation and its subsidiaries.

REV	REVISIONS		
	DESCRIPTION	DATE	APPROVED
A	INITIAL RELEASE	07/13/17	J.YOU



NOTES:

- MATERIAL:
 EXTERNAL PARTS: ALUMINUM/ZINC-NICKEL
 INTERNAL PARTS: ALUMINUM
 MISC. HARDWARE: STAINLESS STEEL
 SEALS: SILICONE
 LANYARD: STAINLESS STEEL (NYLON COAT)

2. RATING: IP-68

3. ALL DIMENSIONS ARE FOR REFERENCE ONLY.

4. COMPONENT SHALL BE INDIVIDUALLY PACKAGED IN ACCORDANCE WITH SPECIFICATION PS-0054.

REGULATORY COMPLIANCE:
 CE2011/65/EU (RoHS DIRECTIVE)

NON CONTROLLED DRAWING IF PRINTED

AS9100C CERTIFIED			CAD SYSTEM DRAWING - DO NOT REVISE MANUALLY			
UNLESS OTHERWISE SPECIFIED ALL DIMENSIONS ARE IN INCHES OVERALL CABLE LENGTH TOLERANCE: ≤ 12 [305] = +1 [25] / -0 > 12 [305] ≤ 60 [1524] = +2 [51] / -0 > 60 [1524] ≤ 120 [3048] = +4 [102] / -0 > 120 [3048] ≤ 300 [7620] = +6 [152] / -0 > 300 [7620] = +5% / -0% ALL OTHER DIMENSIONAL TOLERANCES: $.X = \pm 2$ [508] $.XX = \pm .02$ [51] $.XXX = \pm .005$ [13]			SIGNATURE	DATE	MILESTEK CORPORATION 1506 INTERSTATE 35 WEST DENTON, TX 76207 PHONE: 866.524.1553 FAX: 940.591.7086	
			DRAWN BY: J.YOU	07/13/17		
			CHECKED BY: D.GUITADAURO	07/13/17	TITLE JAM NUT D38999 SEALED ZNNI EMI	
			APPROVED ENGINEERING: S.PAN	07/13/17		
DASH			CUSTOMER APPROVAL	SCALE: NTS	DRAWING NUMBER: T5C00018	
APPLICATION			CUSTOMER REFERENCE DOCUMENT:	CAGE CODE: 42977	SHEET 1 OF 1	