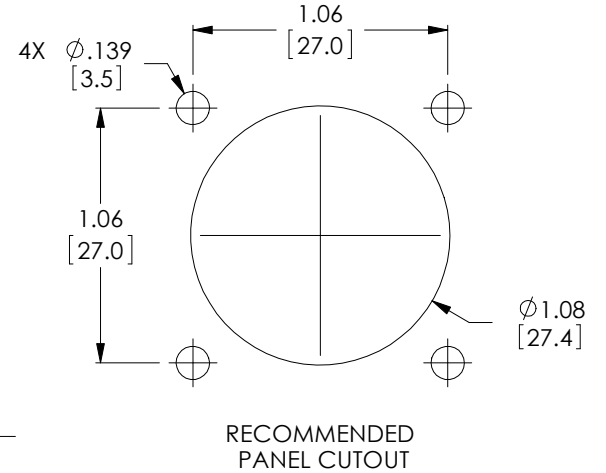
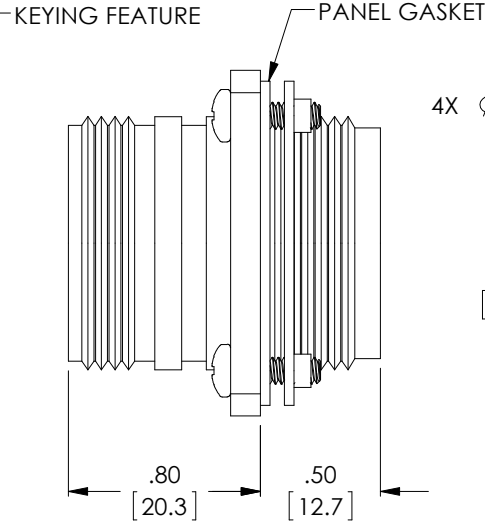
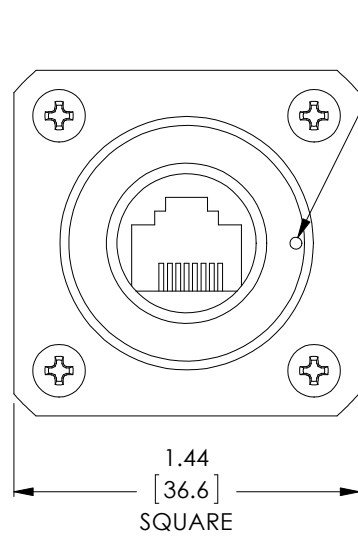
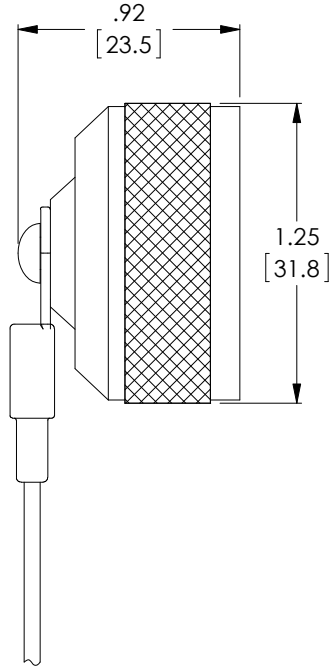


PROPRIETARY NOTICE

This document discloses confidential subject matter in which MilesTek Corporation and its subsidiaries have proprietary rights. Neither receipt nor possession thereof confers or transfers any right to reproduce or disclose the document, any part thereof, any information contained therein, or any physical article or device, or to practice any method or process, except by written permission from, or written agreement with MilesTek Corporation and its subsidiaries.

REVISIONS			
REV	DESCRIPTION	DATE	APPROVED
A	INITIAL RELEASE	07/13/17	J.YOU



NOTES:

- MATERIAL:  
EXTERNAL PARTS: ALUMINUM/ZINC-NICKEL  
INTERNAL PARTS: ALUMINUM  
MISC. HARDWARE: STAINLESS STEEL  
SEALS: SILICONE/NITRILE  
LANYARD: STAINLESS STEEL (NYLON COAT)
- RATING: IP-68
- KIT INCLUDES:  
(1) DUST CAP WITH LANYARD  
(1) MOUNTING BRACKET  
(1) GASKET  
(4) SCREWS, PPH, SS, #4-40 X .375
- ALL DIMENSIONS ARE FOR REFERENCE ONLY.
- COMPONENT SHALL BE INDIVIDUALLY PACKAGED IN ACCORDANCE WITH SPECIFICATION PS-0054.

**REGULATORY COMPLIANCE:**  
CE2011/65/EU (RoHS DIRECTIVE)

**NON CONTROLLED DRAWING IF PRINTED**

AS9100C CERTIFIED			CAD SYSTEM DRAWING - DO NOT REVISE MANUALLY			
UNLESS OTHERWISE SPECIFIED ALL DIMENSIONS ARE IN INCHES			SIGNATURE	DATE	<b>MilesTek</b>	
OVERALL CABLE LENGTH TOLERANCE: ≤12 [305] = +1 [25] / -0 >12 [305] ≤60 [1524] = +2 [51] / -0 >60 [1524] ≤120 [3048] = +4 [102] / -0 >120 [3048] ≤300 [7620] = +6 [152] / -0 >300 [7620] = +5% / -0%			DRAWN BY: J.YOU	07/13/17	MILESTEK CORPORATION 1506 INTERSTATE 35 WEST DENTON, TX 76207 PHONE: 866.524.1553 FAX: 940.591.7086	
ALL OTHER DIMENSIONAL TOLERANCES: .X = ±.2 [5.08] .XX = ±.02 [5.1] .XXX = ±.005 [13]			CHECKED BY: D.GUITADAURO	07/13/17	TITLE FLNG MNT SEALED ZNNI W/ HW&DC	
CUSTOMER REFERENCE DOCUMENT:			APPROVED ENGINEERING: S.PAN	07/13/17	DRAWING NUMBER: T5C00016	
DASH	NEXT ASSY	USED ON	CUSTOMER APPROVAL	SCALE: NTS		
APPLICATION			CAGE CODE: 42977	SHEET 1 OF 1		