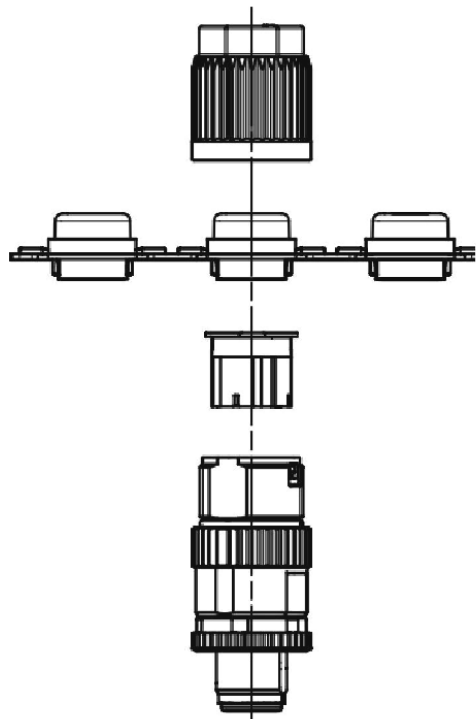


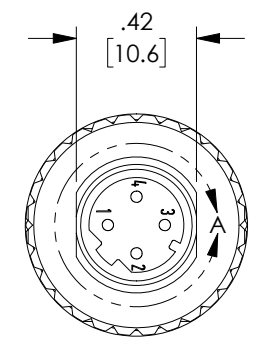
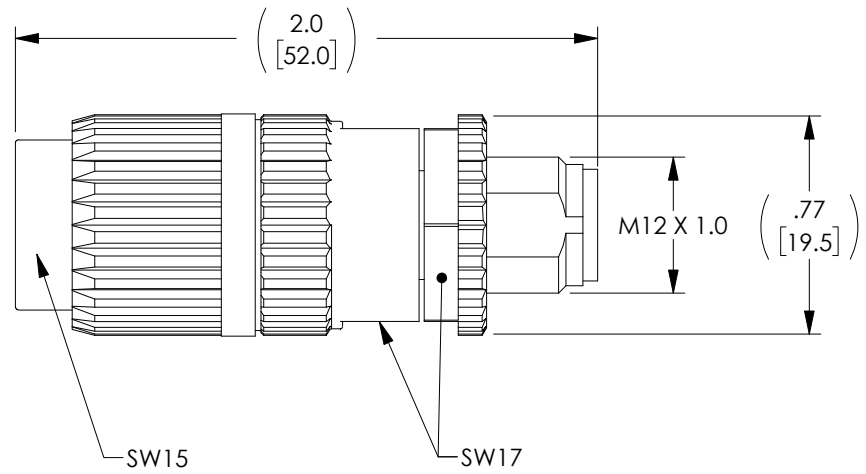
PROPRIETARY NOTICE

This document discloses confidential subject matter in which MilesTek Corporation and its subsidiaries have proprietary rights. Neither receipt nor possession thereof confers or transfers any right to reproduce or disclose the document, any part thereof, any information contained therein, or any physical article or device, or to practice any method or process, except by written permission from, or written agreement with MilesTek Corporation and its subsidiaries.

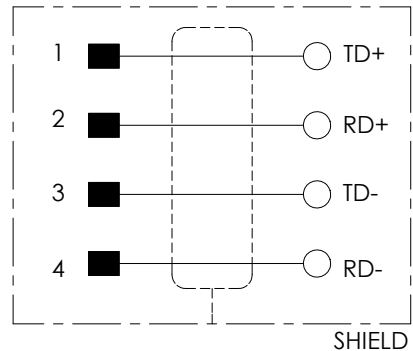
REVISIONS			
REV	DESCRIPTION	DATE	APPROVED
A	INITIAL RELEASE	05/31/2019	DFRISIELLO



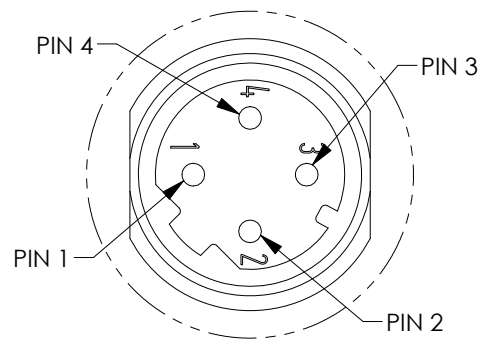
EXPLODED VIEW



M12 SHIELDED MALE 4 POSITION D-CODED



M12 MALE WIRING DIAGRAM



DETAIL A  
CONNECTOR PIN ASSIGNMENT  
(ACC. IEC 61076-2-101)

NOTES:

MECHANICAL DATA:

- HOUSING: M12 MALE, 4 POLE, D CODE, SHIELDED
- CABLE CONNECTION: IDC
- CONDUCTOR CROSS SECTION: 0.14 - 0.34 MM<sup>2</sup> (AWG 26 - 22)
- ISOLATION MATERIALS: PVC/PE/PP
- WIRE DIAMETER: 1.2MM - 2.0MM
- CABLE OUTSIDE DIAMETER: 4.5MM - 8.8MM
- PROTECTION: IP65/IP67 (WHEN MATED AND TIGHTENED, EN 60529)
- TEMP. RANGE: -40 TO +85°C
- LOCKING MATERIAL: ZINC DIE CASTING, MATTE NICKEL PLATED

MISCELLANEOUS:

- NOMINAL VOLTAGE: MAX 50 V AC/DC
- RATED CURRENT: MAX 4A PER CONTACT
- CATEGORY: CATEGORY 5E (IEC 11801)
- SHIPS UNASSEMBLED
- COMPONENT SHALL BE INDIVIDUALLY PACKAGED PER MILESTEK SPECIFICATION PS-0054.

UNLESS OTHERWISE SPECIFIED ALL DIMENSIONS ARE IN INCHES  OVERALL CABLE LENGTH TOLERANCE: ≤12 [305] = +1 [25] / -0 >12 [305] ≤60 [1524] = +2 [51] / -0 >60 [1524] ≤120 [3048] = +4 [102] / -0 >120 [3048] ≤300 [7620] = +6 [152] / -0 >300 [7620] = +5% / -0%  ALL OTHER DIMENSIONAL TOLERANCES: X = ± 2 [50.8] XX = ± .02 [5.1] XXX = ±.005 [1.3]	SIGNATURE	DATE	MILESTEK CORPORATION 301 LEORA LANE, SUITE 100 LEWISVILLE, TX 75056 PHONE: (940) 484-9400 FAX: (940) 566-1047
	DRAWN BY: DFRISIELLO	05/30/2019	
	CHECKED BY: DGUTTADAUR	05/31/2019	
	APPROVED BY: DGUTTADAUR	05/31/2019	
CUSTOMER REFERENCE DOCUMENT:	CONFIGURATION DETAILS OF UNDIMENSIONED FEATURES MAY VARY  CAGE CODE: 4Z977		TITLE <b>M12 4D-M FLDTRM 24-22AWG SHLD</b>
	SIZE <b>A</b>	DRAWING NUMBER: <b>T5B00016</b>	REV. <b>A</b>
	SCALE: NTS		SHEET 1 OF 1