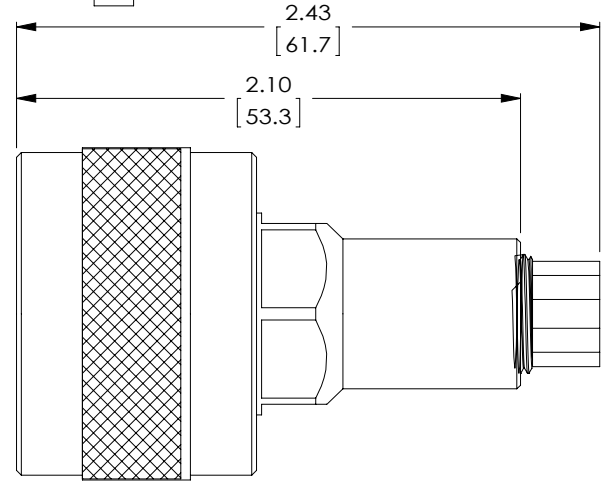
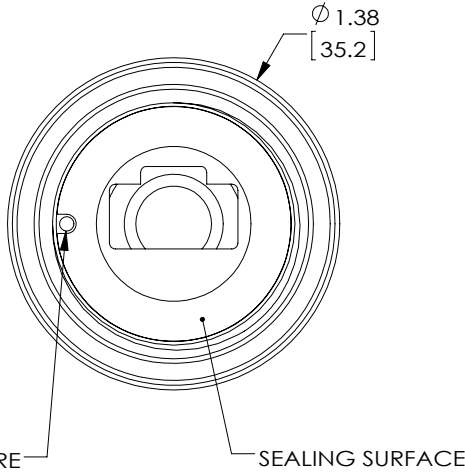
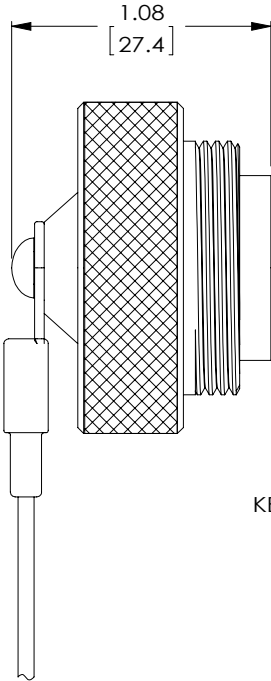


PROPRIETARY NOTICE

This document discloses confidential subject matter in which MilesTek Corporation and its subsidiaries have proprietary rights. Neither receipt nor possession thereof confers or transfers any right to reproduce or disclose the document, any part thereof, any information contained therein, or any physical article or device, or to practice any method or process, except by written permission from, or written agreement with MilesTek Corporation and its subsidiaries.

REVISIONS			
REV	DESCRIPTION	DATE	APPROVED
1	INITIAL RELEASE	06/09/17	G.HUAN



- NOTES:
- CABLE SIZE: .190 / .270"
 - ASSEMBLED OVERALL LENGTH IS APPROX. 2.9"
 - MATERIALS AND FINISH:
 EXTERNAL PARTS: ALUMINUM/BLACK ANODIZE
 INTERNAL PARTS: ALUMINUM
 MISCELLANEOUS HARDWARE: STAINLESS STEEL
 SEAL: SILICONE
 LANYARD: STAINLESS STEEL (NYLON COAT)
 - LANYARD LENGTH: APPROXIMATELY 6.0"
 - RATING: IP-68
 - ALL DIMENSIONS ARE FOR REFERENCE ONLY.
 - COMPONENT SHALL BE INDIVIDUALLY PACKAGED IN ACCORDANCE WITH SPEC. PS-0054.
 - REGULATORY COMPLIANCE:
 CE2011/65/EU(RoHS DIRECTIVE)

NON CONTROLLED DRAWING IF PRINTED

AS9100C CERTIFIED			CAD SYSTEM DRAWING - DO NOT REVISE MANUALLY			
UNLESS OTHERWISE SPECIFIED ALL DIMENSIONS ARE IN INCHES			SIGNATURE		DATE	
OVERALL CABLE LENGTH TOLERANCE: ≤12 [305] = +1 [25] / -0 >12 [305] ≤60 [1524] = +2 [51] / -0 >60 [1524] ≤120 [3048] = +4 [102] / -0 >120 [3048] ≤300 [7620] = +6 [152] / -0 >300 [7620] = +5% / -0%			DRAWN BY: G.HUAN		06/09/17	
ALL OTHER DIMENSIONAL TOLERANCES: .X = ±.2 [5.08] .XX = ±.02 [1.51] .XXX = ±.005 [1.3]			CHECKED BY: D. GUITADAURO		06/09/17	
DASH NEXT ASSY USED ON APPLICATION			APPROVED ENGINEERING: S.PAN		06/09/17	
CUSTOMER REFERENCE DOCUMENT:			APPROVED MANUFACTURING:		CUSTOMER APPROVAL	
CAGE CODE: 42977			TITLE		PLUG ANOD .190-.270 DCAP	
SCALE: NTS			DRAWING NUMBER:		T5B00005	
SHEET 1 OF 1			MILESTEK CORPORATION 1506 INTERSTATE 35 WEST DENTON, TX 76207 PHONE: 866.524.1553 FAX: 940.591.7086		MilesTek Military / Aerospace / Communications / Industrial	