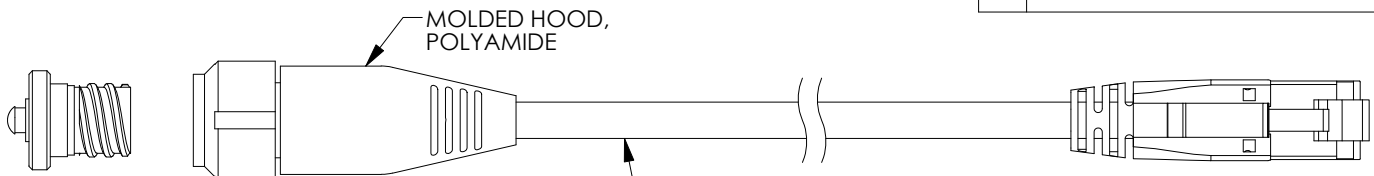
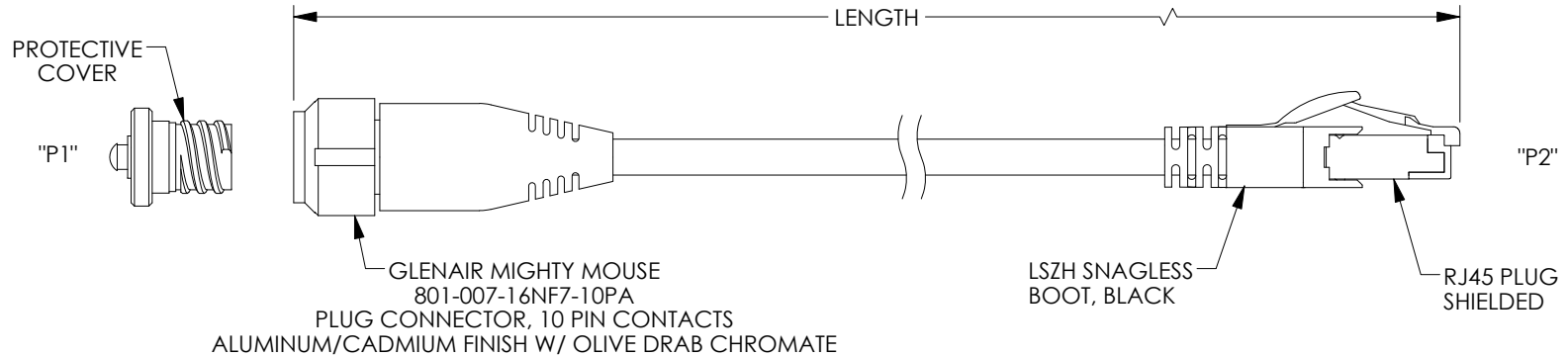


THE INFORMATION CONTAINED IN THIS DRAWING IS THE SOLE PROPERTY OF MILESTEK, INC.. ANY REPRODUCTION IN PART OR WHOLE WITHOUT THE WRITTEN PERMISSION OF MILESTEK, INC. IS PROHIBITED.

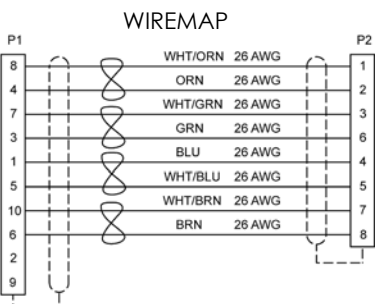
REVISIONS			
REV	DESCRIPTION	DATE	APPROVED
A	INITIAL RELEASE	12/03/2019	GUTTADAURO



FOUR TWISTED PAIR, 26 AWG (7X34) STRANDED COPPER  
OVERALL ALUMINIZED POLYESTER SHIELD WITH STRANDED  
TINNED COPPER DRAIN WIRE PLUS TINNED COPPER BRAIDED SHIELD.  
JACKET: LSZH, BLACK



GLENAIR MIGHTY MOUSE  
801-007-16NF7-10PA  
PLUG CONNECTOR, 10 PIN CONTACTS  
ALUMINUM/CADMIUM FINISH W/ OLIVE DRAB CHROMATE



MODEL NUMBER	LENGTH FEET [METER]
T5A00025-1F	1 [.30]
T5A00025-3F	3 [.91]
T5A00025-5F	5 [1.52]
T5A00025-10F	10 [3.05]

NOTES:

- TEST ASSEMBLY FOR SHORTS, CONTINUITY, AND INSULATION RESISTANCE 200 MEGAOHMS MIN.
- TETHER FOR PROTECTIVE COVER INCLUDED BUT NOT SHOWN.
- LABEL SHALL BE PLACED ON CABLE WITH GLENAIR P/N AND DATE CODE.
- CABLE ASSEMBLY SHALL BE INDIVIDUALLY PACKAGED IN ACCORDANCE WITH MILESTEK SPECIFICATION PS-0054.

UNLESS OTHERWISE SPECIFIED, DIMENSIONS ARE IN INCHES [mm]	APPROVALS	DATE	 an INFINIT@ brand	301 Leora Ln., Suite 100, Lewisville, TX 75056 Phone: 1.940.484.9400 1.866.524.1553		
	OVERALL CABLE LENGTH TOLERANCE: ≤12 [305] = +1 [25] / -0 >12 [305] ≤60 [1524] = +2 [51] / -0 >60 [1524] ≤120 [3048] = +4 [102] / -0 >120 [3048] ≤300 [7620] = +6 [152] / -0 >300 [7620] = +5% / -0	DRAWN BY BPUCHASKI			12/07/2006	
ALL OTHER DIMENSIONAL TOLERANCES: .X = ± .2 [5]   FRACTIONS ± 1/32 .XX = ± .02 [.5]   ANGLES ± 1° .XXX = ± .005 [.13]	CHECKED BY DFRISIELLO	12/07/2006	CATEGORY TELECOM/MODULAR			
	APPROVED BY GUTTADAURO	12/03/2019	PRODUCT DESCRIPTION C5e MM-M RJ45 801 AL/CD OLIVE LSZH W/ DC			
THIRD-ANGLE PROJECTION 	CONFIGURATION DETAILS OF UNDIMENSIONED FEATURES MAY VARY	COLOR VARIATIONS MAY OCCUR	SIZE <b>A</b>	CAGE CODE <b>4Z977</b>	DWG. NO. T5A00025	REV. <b>A</b>
SCALE: NONE			SCALE: T5A00025.SLDDRW		SHEET 1 OF 1	