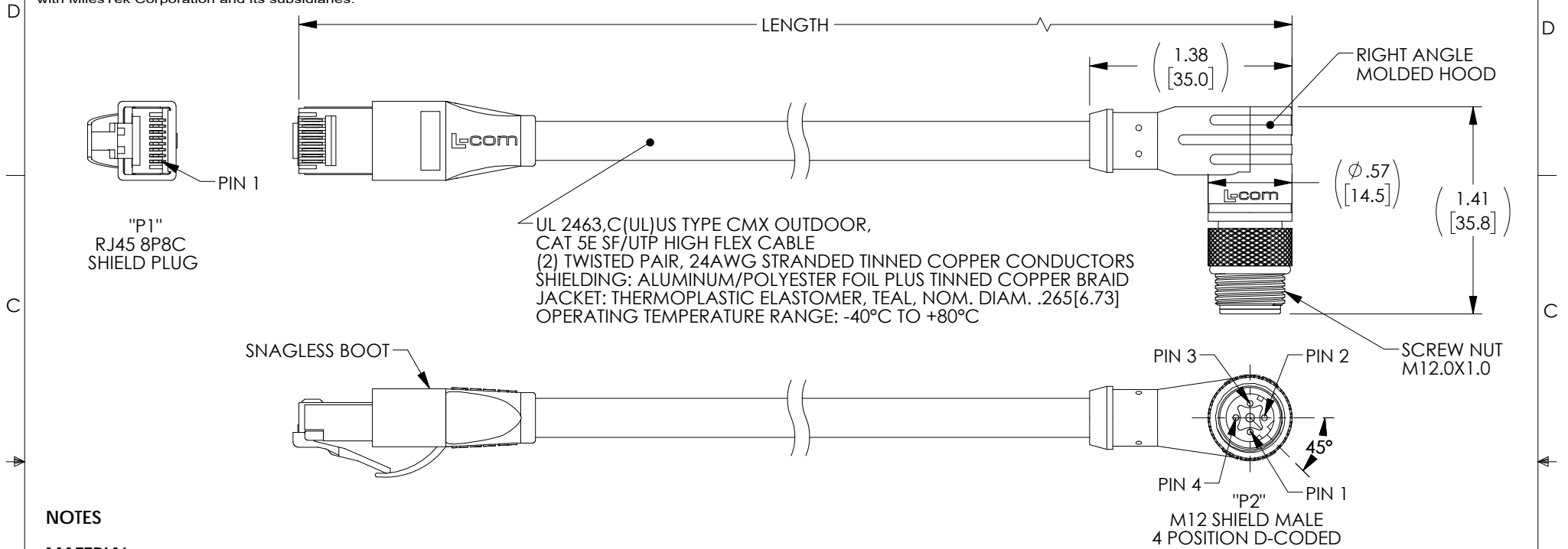


PROPRIETARY NOTICE

This document discloses confidential subject matter in which MilesTek Corporation and its subsidiaries have proprietary rights. Neither receipt nor possession thereof confers or transfers any right to reproduce or disclose the document, any part thereof, any information contained therein, or any physical article or device, or to practice any method or process, except by written permission from, or written agreement with MilesTek Corporation and its subsidiaries.

REVISIONS			
REV	DESCRIPTION	DATE	APPROVED
A	INITIAL RELEASE	05/31/2019	DFRISIELLO



NOTES

MATERIAL:

- MOLDED HOOD:THERMOPLASTIC POLYURETHANE,BLACK
- INSULATOR:NYLON,BLACK
- SHELL/SCREW NUT:BRASS,NICKEL PLATED
- M12 CONTACTS:PHOSPHOR BRONZE,15µ" MIN.GOLD PLATED
- SNAGLESS BOOT:LOW SMOKE ZERO HALOGEN,BLACK
- RJ45 HOUSING:POLYCARBONATE,CLEAR UL94V-0
- RJ45 SHIELD/STRAIN RELIEF:BRASS,100µ" MIN. NICKEL PLATED
- RJ45 CONTACTS:PHOSPHOR BRONZE, 50µ" MIN.GOLD PLATE IN CONTACT AREA OVER 100µ" MIN. NICKEL PLATE OVERALL

ELECTRICAL:

- NOMINAL VOLTAGE RATING:125 VAC/VDC
- MAX CURRENT:1.5A

APPLICATION:

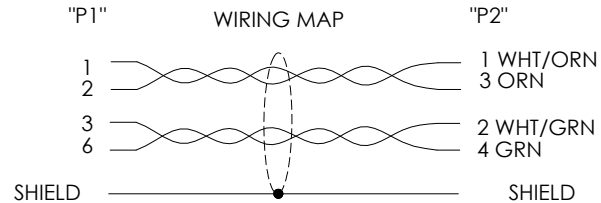
INGRESS PROTECTION RATING IS IP67(P2 ONLY WHEN MATED).

ENVIRONMENTAL:

CABLE JACKET RESISTANCE:OIL,SUNLIGHT,AND WELD SPLATTER RESISTANT

MISCELLANEOUS

CABLE ASSEMBLY TO BE TESTED FOR CONTINUITY.  
CABLE ASSEMBLY SHALL BE INDIVIDUALLY PACKAGED IN ACCORDANCE WITH MILESTEK SPECIFICATION PS-0054.



MODEL NUMBER	LENGTH	
	METERS	FEET
T5A00023-05M	0.5	1.64
T5A00023-1M	1.0	3.28
T5A00023-2M	2.0	6.56
T5A00023-3M	3.0	9.84
T5A00023-5M	5.0	16.41
T5A00023-10M	10.0	32.81
T5A00023-15M	15.0	49.22

UNLESS OTHERWISE SPECIFIED ALL DIMENSIONS ARE IN INCHES  OVERALL CABLE LENGTH TOLERANCE: <math>\le 12 [305] = +1 [25] / -0</math> >12 [305] <math>\le 60 [1524] = +2 [51] / -0</math> >60 [1524] <math>\le 120 [3048] = +4 [102] / -0</math> >120 [3048] <math>\le 300 [7620] = +6 [152] / -0</math> >300 [7620] = +5% / -0%  ALL OTHER DIMENSIONAL TOLERANCES: X = $\pm 2 [50.8]</math>XX = \pm .02 [51]</math>XXX = \pm .005 [1.3]</math>CUSTOMER REFERENCE DOCUMENT:$	SIGNATURE	DATE	<p>MILESTEK CORPORATION 301 LEORA LANE, SUITE 100 LEWISVILLE, TX 75056 PHONE: (940) 484-9400 FAX: (940) 564-1047</p>
	DRAWN BY: DFRISIELLO	05/28/2019	
	CHECKED BY: DGUTTADAUR	05/31/2019	
	APPROVED BY: DGUTTADAUR	05/31/2019	
	CONFIGURATION DETAILS OF UNDIMENSIONED FEATURES MAY VARY		TITLE C5E M12 RAMD-RJ45 TPE 24 TEL
	CAGE CODE: 4Z977		SIZE A DRAWING NUMBER: T5A00023 REV. A
			SCALE: NTS SHEET 1 OF 1