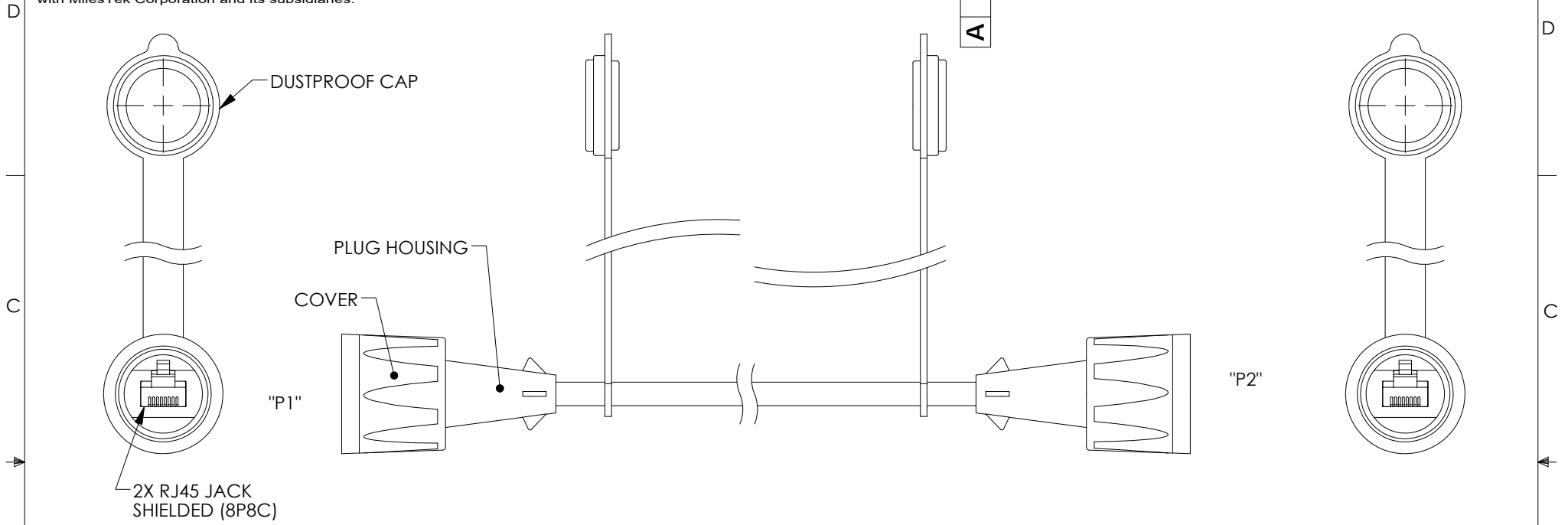


PROPRIETARY NOTICE

This document discloses confidential subject matter in which MilesTek Corporation and its subsidiaries have proprietary rights. Neither receipt nor possession thereof confers or transfers any right to reproduce or disclose the document, any part thereof, any information contained therein, or any physical article or device, or to practice any method or process, except by written permission from, or written agreement with MilesTek Corporation and its subsidiaries.

REVISIONS			
REV	DESCRIPTION	DATE	APPROVED
A	INITIAL RELEASE	4/23/18	D.FRISIELLO



NOTES:

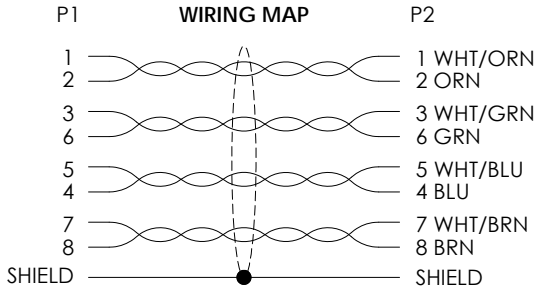
**MATERIAL:**  
 PLUG HOUSING AND COVER: PBT, BLACK  
 CONTACTS: PHOSPHOR BRONZE, C5191  
 DUSTPROOF CAP: PVC, BLACK  
 CABLE: PVC, BLACK

**CABLE JACKET LEGEND:**  
 TYPE CMX OUTDOOR 75 ° C <UL> E466489-D2  
 SHIELDED FOUR TWISTED PAIRS ETL VERIFIED TO  
 ANSI/TIA-568-C.2 PATCH CABLE FTP CAT 5e, 26AWG  
 WITH ALUM/POLY FOIL TAPE AND DRAIN WIRE.

**MISCELLANEOUS:**  
 INSERTION LIFE: 750 CYCLES, MIN.  
 IP RATING: IP67 WHEN COVER IS ENGAGED.  
 OPERATING TEMPERATURE RANGE: -20°C TO +80°C.  
 STORAGE TEMPERATURE RANGE: -20°C TO +80°C.  
 HUMIDITY: 20% ~ 80% RH  
 CABLE ASSEMBLY TO BE TESTED FOR CONTINUITY.  
 CABLE ASSEMBLY SHALL BE INDIVIDUALLY PACKAGED IN  
 ACCORDANCE WITH MILESTEK SPECIFICATION PS-0054.

**REGULATORY COMPLIANCE:**  
 CE2011/65/EU (RoHS DIRECTIVE)

MODEL NUMBER	LENGTH	
	METERS	FEET
T5A00019-1M	1.0	3.28
T5A00019-2M	2.0	6.56
T5A00019-3M	3.0	9.84
T5A00019-5M	5.0	16.41



NON CONTROLLED DRAWING IF PRINTED

AS9100C CERTIFIED			CAD SYSTEM DRAWING - DO NOT REVISE MANUALLY			
UNLESS OTHERWISE SPECIFIED ALL DIMENSIONS ARE IN INCHES			SIGNATURE	DATE	MilesTek	
OVERALL CABLE LENGTH TOLERANCE: $\leq 12$ [305] = +1 [25] / -0 $> 12$ [305] $\leq 60$ [1524] = +2 [51] / -0 $> 60$ [1524] $\leq 120$ [3048] = +4 [102] / -0 $> 120$ [3048] $\leq 300$ [7620] = +6 [152] / -0 $> 300$ [7620] = +5% / -0%			DRAWN BY: D.FRISIELLO	4/20/18	MILESTEK CORPORATION 1506 INTERSTATE 35 WEST DENTON, TX 76207 PHONE: 866.524.1553 FAX: 940.591.7086	
ALL OTHER DIMENSIONAL TOLERANCES: $X = \pm 2$ [5.08] $XX = \pm .02$ [5.1] $XXX = \pm 0.05$ [1.3]			CHECKED BY: D.GUITADAURO	4/23/18	TITLE RJ45 IP67 F/UTP C5e PUR BLK W/CAP	
CUSTOMER REFERENCE DOCUMENT:			APPROVED ENGINEERING: D.GUITADAURO	4/23/18	DRAWING NUMBER: T5A00019	
DASH	NEXT ASSY	USED ON	CUSTOMER APPROVAL	SCALE: NTS		
APPLICATION			CAGE CODE: 42977	SHEET 1 OF 1		