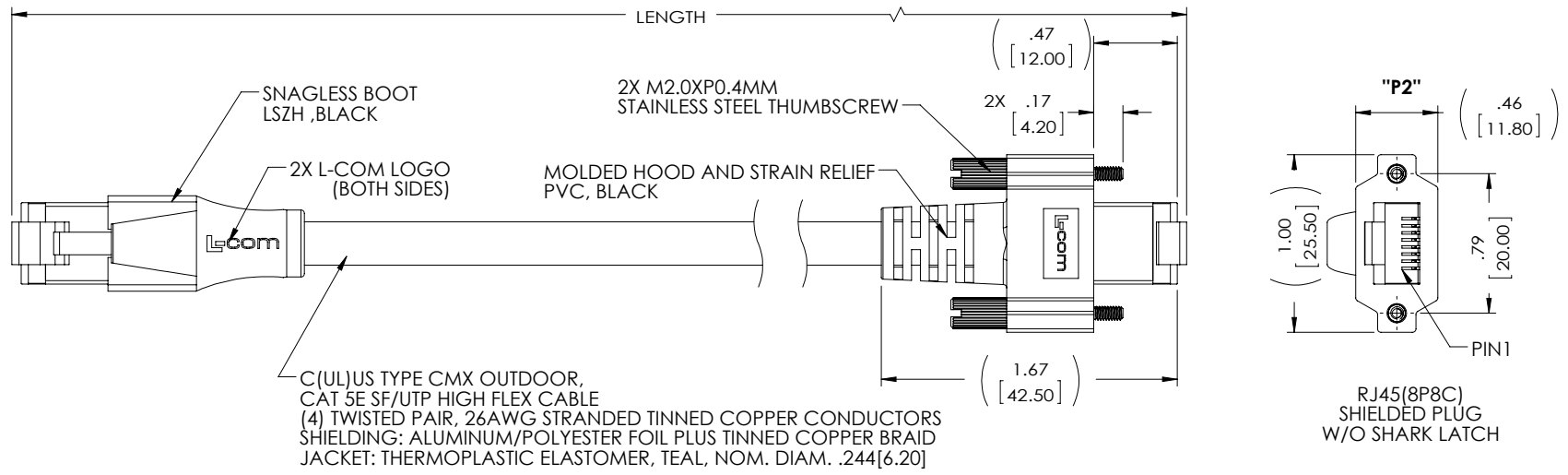


**PROPRIETARY NOTICE**

This document discloses confidential subject matter in which MilesTek Corporation and its subsidiaries have proprietary rights. Neither receipt nor possession thereof confers or transfers any right to reproduce or disclose the document, any part thereof, any information contained therein, or any physical article or device, or to practice any method or process, except by written permission from, or written agreement with MilesTek Corporation and its subsidiaries.

REVOLUTIONS			
REV	DESCRIPTION	DATE	APPROVED
1	INITIAL RELEASE	06/08/17	G.HUAN



**NOTES**

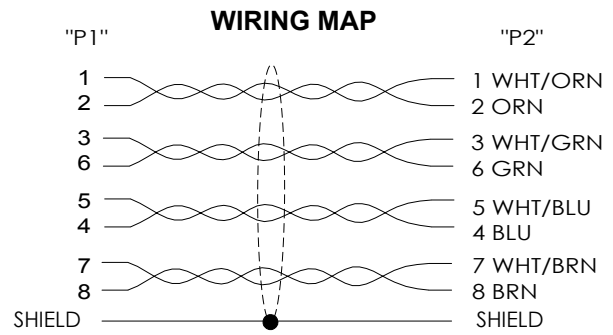
**MATERIAL:**  
 RJ45 HOUSING: POLYCARBONATE, CLEAR UL96V-0  
 RJ45 SHIELD/STRAIN RELIEF: BRASS, 100µ" MIN. NICKEL PLATE  
 RJ45 CONTACTS: PHOSPHOR BRONZE, 50µ" MIN. GOLD PLATE IN CONTACT AREA OVER 100µ" MIN. NICKEL PLATE OVERALL

**ELECTRICAL:**  
 NOMINAL VOLTAGE RATING: 125 VAC/VDC  
 MAX CURRENT: 1.5A

**ENVIRONMENTAL:**  
 OPERATING TEMPERATURE RANGE: -10°C TO +60°C  
 CABLE JACKET RESISTANCE: OIL, SUNLIGHT, AND WELD SPLATTER RESISTANT

**MISCELLANEOUS**  
 CABLE ASSEMBLIES TO BE TESTED FOR CONTINUITY  
 CABLE ASSEMBLY SHALL BE INDIVIDUALLY PACKAGED IN ACCORDANCE WITH SPEC. PS-0054.

**REGULATORY COMPLIANCE:**  
 CE2011/65/EU(RoHS DIRECTIVE)



PART NUMBER	LENGTH	
	FEET	METERS
T5A00013-1M	3.28	1.0
T5A00013-2M	6.56	2.0
T5A00013-3M	9.84	3.0
T5A00013-5M	16.41	5.0
T5A00013-10M	32.82	10.0

**NON CONTROLLED DRAWING IF PRINTED**

AS9100C CERTIFIED			CAD SYSTEM DRAWING - DO NOT REVISE MANUALLY			
UNLESS OTHERWISE SPECIFIED ALL DIMENSIONS ARE IN INCHES  OVERALL CABLE LENGTH TOLERANCE: ±12 [305] ±1 [25] / -0 >12 [305] ≤60 [1524] = +2 [51] / -0 >60 [1524] ≤120 [3048] = +4 [102] / -0 >120 [3048] ≤300 [7620] = +6 [152] / -0 >300 [7620] = +5% / -0%  ALL OTHER DIMENSIONAL TOLERANCES: .X = ±.2 [5.08] .XX = ±.02 [1.51] .XXX = ±.005 [1.3]			SIGNATURE	DATE	MILESTEK CORPORATION 1506 INTERSTATE 35 WEST DENTON, TX 76207 PHONE: 866.524.1553 FAX: 940.591.7086	
			DRAWN BY: G.HUAN	06/08/17		
DASH NEXT ASSY USED ON APPLICATION			CHECKED BY: D. GUITTAURO	06/08/17	TITLE C5E GigE-RJ45 TPE 26 TEL	
			APPROVED ENGINEERING: S.PAN	06/08/17		
CUSTOMER REFERENCE DOCUMENT:			CUSTOMER APPROVAL	SIZE <b>A</b> DRAWING NUMBER: T5A00013		
			CAGE CODE: 42977			