

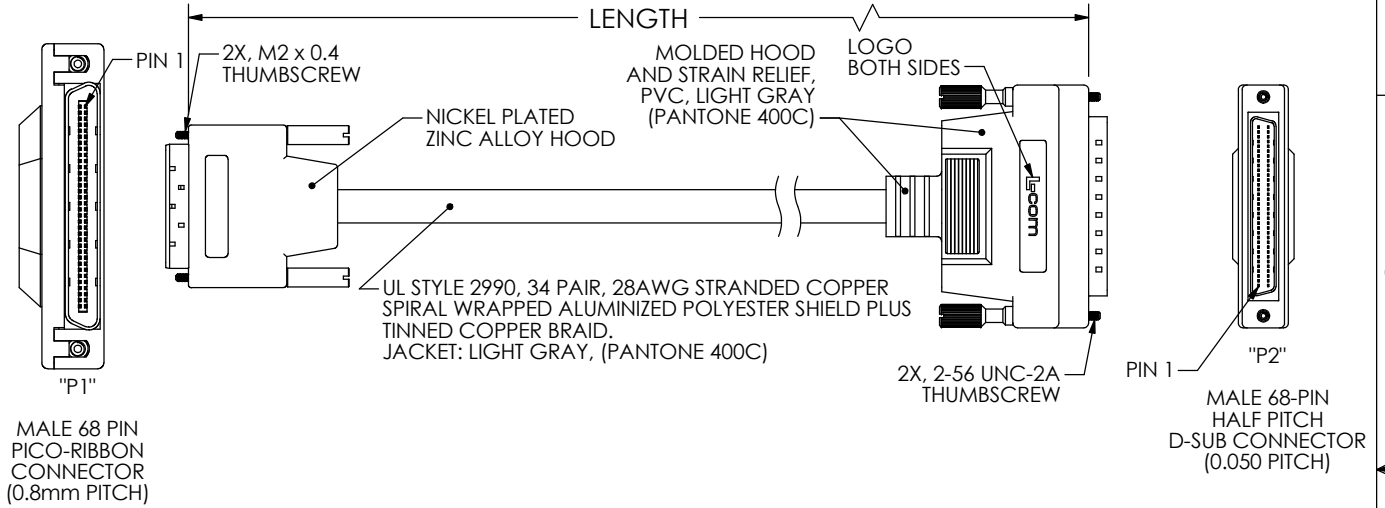
PROPRIETARY NOTICE

This document discloses confidential subject matter in which MilesTek Corporation and its subsidiaries have proprietary rights. Neither receipt nor possession thereof confers or transfers any right to reproduce or disclose the document, any part thereof, any information contained therein, or any physical article or device, or to practice any method or process, except by written permission from, or written agreement with MilesTek Corporation and its subsidiaries.

REVISIONS			
REV	DESCRIPTION	DATE	APPROVED
A	INITIAL RELEASE	06/13/17	J.YOU

WIRING MAP

"P1"	PAIR	"P2"	"P1"	PAIR	"P2"	"P1"	PAIR	"P1"
1	1	1	13	13	13	25	25	25
35	1	35	47	13	47	59	25	59
2	2	2	14	14	14	26	26	26
36	2	36	48	14	48	60	26	60
3	3	3	15	15	15	27	27	27
37	3	37	49	15	49	61	27	61
4	4	4	16	16	16	28	28	28
38	4	38	50	16	50	62	28	62
5	5	5	17	17	17	29	29	29
39	5	39	51	17	51	63	29	63
6	6	6	18	18	18	30	30	30
40	6	40	52	18	52	64	30	64
7	7	7	19	19	19	31	31	31
41	7	41	53	19	53	65	31	65
8	8	8	20	20	20	32	32	32
42	8	42	54	20	54	66	32	66
9	9	9	21	21	21	33	33	33
43	9	43	55	21	55	67	33	67
10	10	10	22	22	22	34	34	34
44	10	44	56	22	56	68	34	68
11	11	11	23	23	23			
45	11	45	57	23	57			
12	12	12	24	24	24			
46	12	46	58	24	58			



MALE 68 PIN PICO-RIBBON CONNECTOR (0.8mm PITCH)

MALE 68-PIN HALF PITCH D-SUB CONNECTOR (0.050 PITCH)

PART NUMBER	LENGTH	
	METERS	FEET
SZA00002-05M	0.5	1.64
SZA00002-1M	1.0	3.28
SZA00002-2M	2.0	6.56
SZA00002-3M	3.0	9.84

DRAIN WIRE CONNECTED TO METAL FRAME OF EACH CONNECTOR

NOTES:

- CABLE SHALL BE TESTED FOR CONTINUITY.
- CABLE SHALL BE INDIVIDUALLY PACKAGED IN ACCORDANCE WITH SPECIFICATION PS-0054.

REGULATORY COMPLIANCE:
CE2011/65/EU(RoHS DIRECTIVE)

NON CONTROLLED DRAWING IF PRINTED

AS9100C CERTIFIED			CAD SYSTEM DRAWING - DO NOT REVISE MANUALLY			
			UNLESS OTHERWISE SPECIFIED ALL DIMENSIONS ARE IN INCHES	SIGNATURE	DATE	 MILESTEK CORPORATION 1506 INTERSTATE 35 WEST DENTON, TX 76207 PHONE: 866.524.1553 FAX: 940.591.7086
			OVERALL CABLE LENGTH TOLERANCE: ≤12 [305] = +1 [25] / -0 >12 [305] ≤60 [1524] = +2 [51] / -0 >60 [1524] ≤120 [3048] = +4 [102] / -0 >120 [3048] ≤300 [7620] = +6 [152] / -0 >300 [7620] = +5% / -0%	J.YOU	06/13/17	
			ALL OTHER DIMENSIONAL TOLERANCES: .X = ±.2 [5.08] .XX = ±.02 [51] .XXX = ±.005 [13]	B.GATES	06/13/17	TITLE
			CUSTOMER REFERENCE DOCUMENT:	S.PAN	06/13/17	CA,SCSI-5 .8mmCN68M/HP68M
DASH	NEXT ASSY	USED ON		CUSTOMER APPROVAL		SIZE
						A
APPLICATION			CAGE CODE: 42977	DRAWING NUMBER:		SZA00002
				SCALE: NTS	SHEET 1 OF 1	