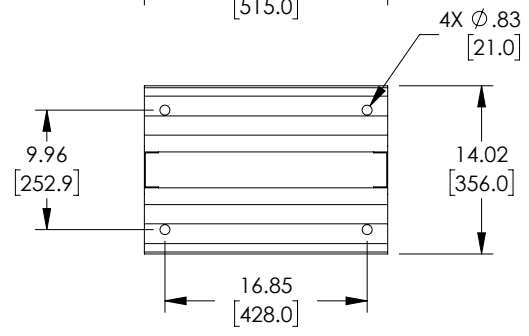
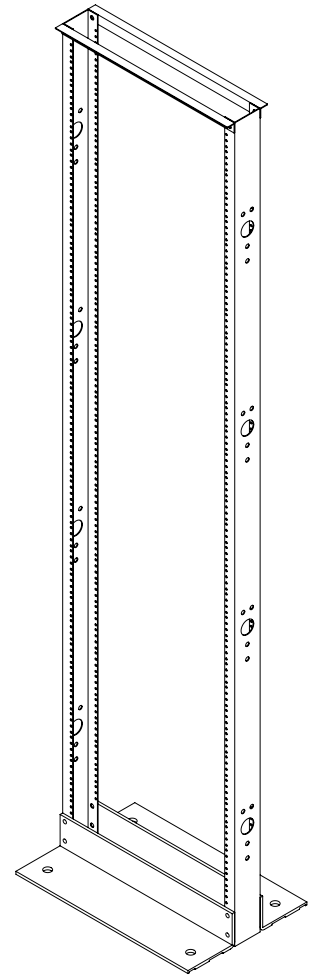
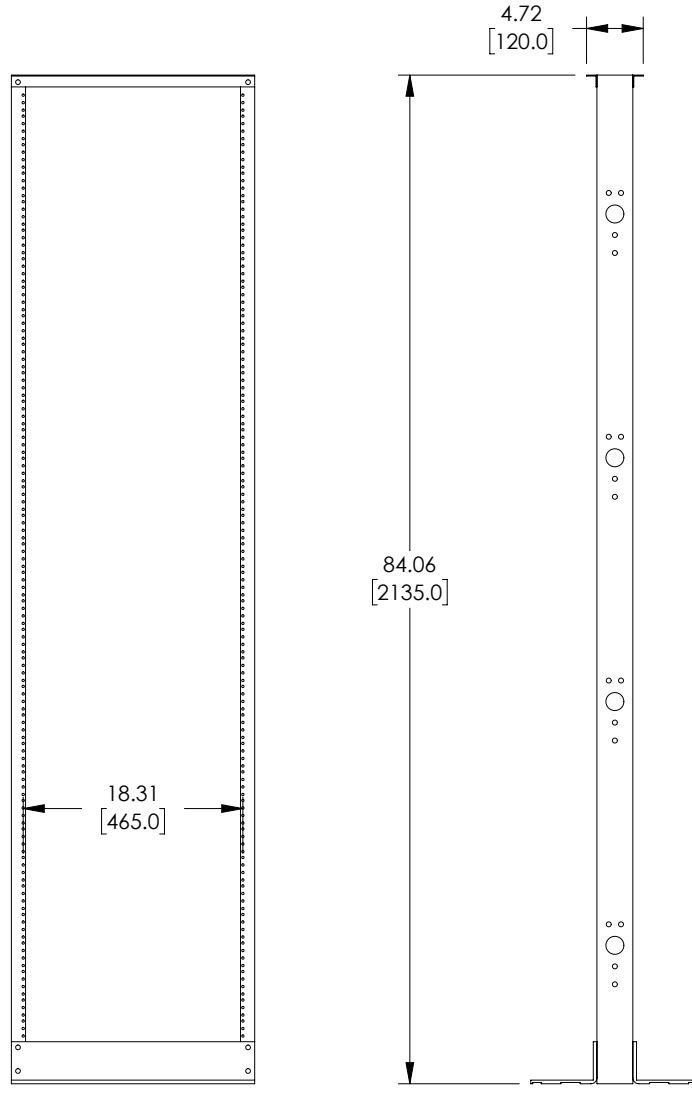


PROPRIETARY NOTICE

This document discloses confidential subject matter in which MilesTek Corporation and its subsidiaries have proprietary rights. Neither receipt nor possession thereof confers or transfers any right to reproduce or disclose the document, any part thereof, any information contained therein, or any physical article or device, or to practice any method or process, except by written permission from, or written agreement with MilesTek Corporation and its subsidiaries.

REVISIONS			
REV	DESCRIPTION	DATE	APPROVED
A	REV A DRAWING RELEASED	04/26/2019	MMARTINEZ



NOTES:

1. ALL DIMENSIONS ARE FOR REFERENCE ONLY.

UNLESS OTHERWISE SPECIFIED ALL DIMENSIONS ARE IN INCHES OVERALL CABLE LENGTH TOLERANCE: ≤12 [305] = +1 [25] / -0 >12 [305] ≤60 [1524] = +2 [51] / -0 >60 [1524] ≤100 [2540] = +4 [102] / -0 >100 [3048] ≤300 [7620] = +6 [152] / -0 >300 [7620] = +5% / -0% ALL OTHER DIMENSIONAL TOLERANCES: .X = ±.2 [5.08] .XX = ±.12 [3.1] .XXX = ±.005 [1.3] CUSTOMER REFERENCE DOCUMENT:	SIGNATURE	DATE	MILESTEK CORPORATION 301 LEORA LANE, SUITE 100 LEWISVILLE, TX 75056 PHONE: (940) 484-9400 FAX: (940) 566-1047	
	DRAWN BY: DFRISIELLO	04/23/2019		TITLE MT 2 Post Aluminum 19" Open Frame Rack-Black - 45U
	CHECKED BY: MMARTINEZ	04/23/2019		
	APPROVED BY: MMARTINEZ	04/23/2019		
CONFIGURATION DETAILS OF UNDIMENSIONED FEATURES MAY VARY CAGE CODE: 4Z977	SIZE A	DRAWING NUMBER: REF00374	REV. A	
SCALE: NTS		SHEET 1 OF 1		

D
C
B
A

D
C
B
A

8 7 6 5 4 3 2 1