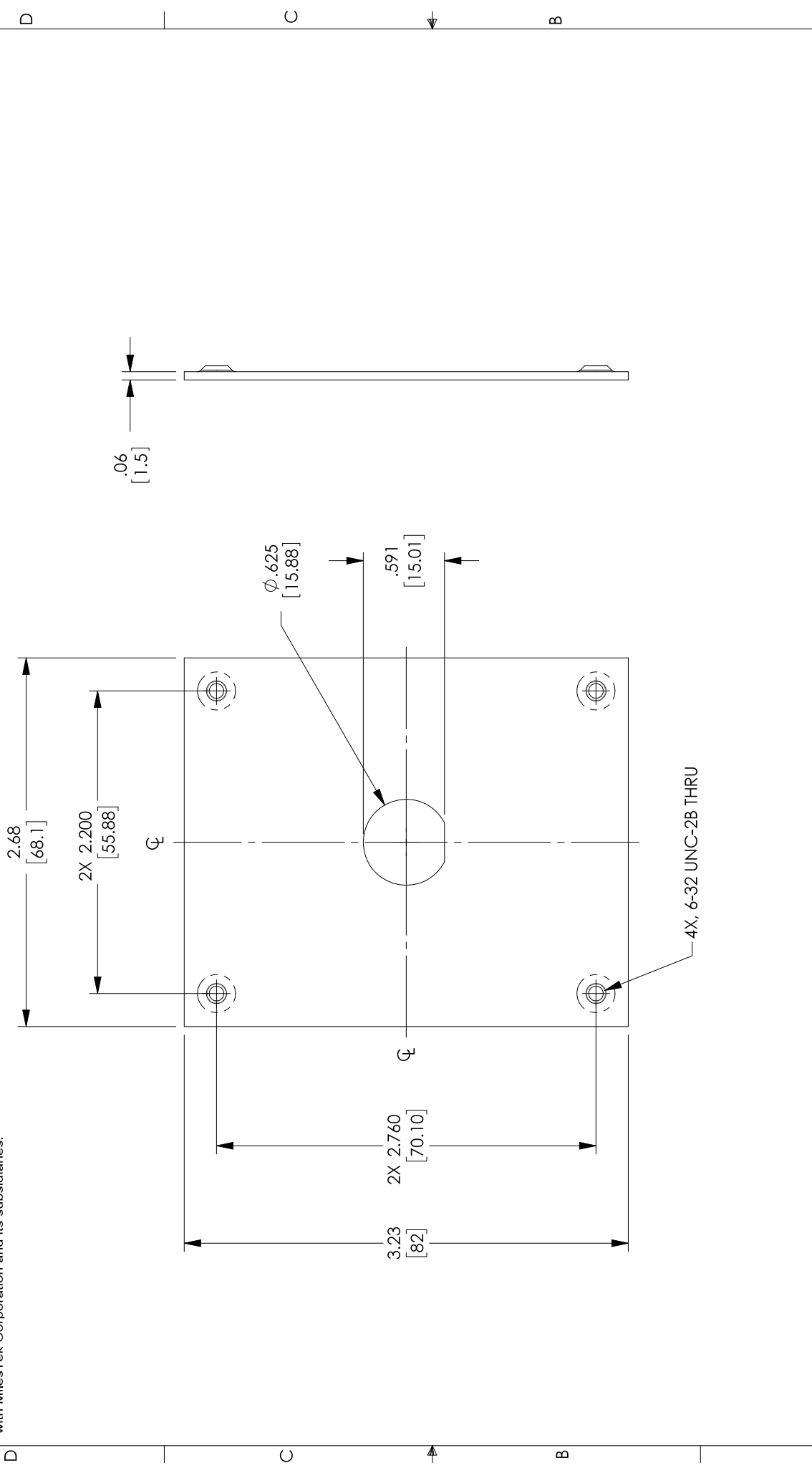


8 7 6 5 4 3 2 1

REV		DESCRIPTION		DATE		APPROVED	
A	INITIAL RELEASE			11/14/2018		DFRIBELLO	



PROPRIETARY NOTICE
 This document discloses confidential subject matter in which MilesTek Corporation and its subsidiaries have proprietary rights. Neither receipt nor possession thereof confers or grants any right, title, or interest in the contents or any part thereof, and no information contained therein, or any physical article or device, or to practice any method or process, except by written permission from, or written agreement with MilesTek Corporation and its subsidiaries.

UNLESS OTHERWISE SPECIFIED ALL DIMENSIONS ARE IN INCHES
 OVERALL CABLE LENGTH TOLERANCE:
 $\le 3/2 [95] = +.123 / -0$
 $\le 10 [254] = +.030 / -0$
 $\le 15 [381] = +.020 / -0$
 $\le 30 [762] = +.010 / -0$
 $\le 50 [1270] = +.005 / -0$
 ALL OTHER DIMENSIONAL TOLERANCES:
 .XX = $\pm .005 [0.127]</math>
 .XXX = $\pm .002 [0.051]</math>$$

NOTE:
 1. PANEL MATERIAL: .06[1.5] THK COLD ROLLED STEEL.
 2. PANEL FINISH: FLAT BLACK POWDER COAT.
 3. KIT CONTAINS 4: #6-32 UNC SCREWS.
 4. PACKAGE IN ACCORDANCE WITH MILESTEK SPEC. PS-0054

MilesTek
 Milestek Corporation
 301 BROADWAY, SUITE 100
 NEWARK, NJ 07102
 PHONE: (940) 484-4400
 FAX: (940) 564-1047

TITLE
 USP SUBPNL (1) 0.630in D-HOLE

SIGNATURE	DATE
DFRIBELLO	11/08/2018
MMARTINEZ	11/08/2018
MMARTINEZ	11/08/2018

CONFIGURATION DETAILS OF UNDIMENSIONED FEATURES MAY VARY

CAGE CODE: 4Z977

SCALE: NTS

REV. A DRAWING NUMBER: REF00275

SHEET 1 OF 1