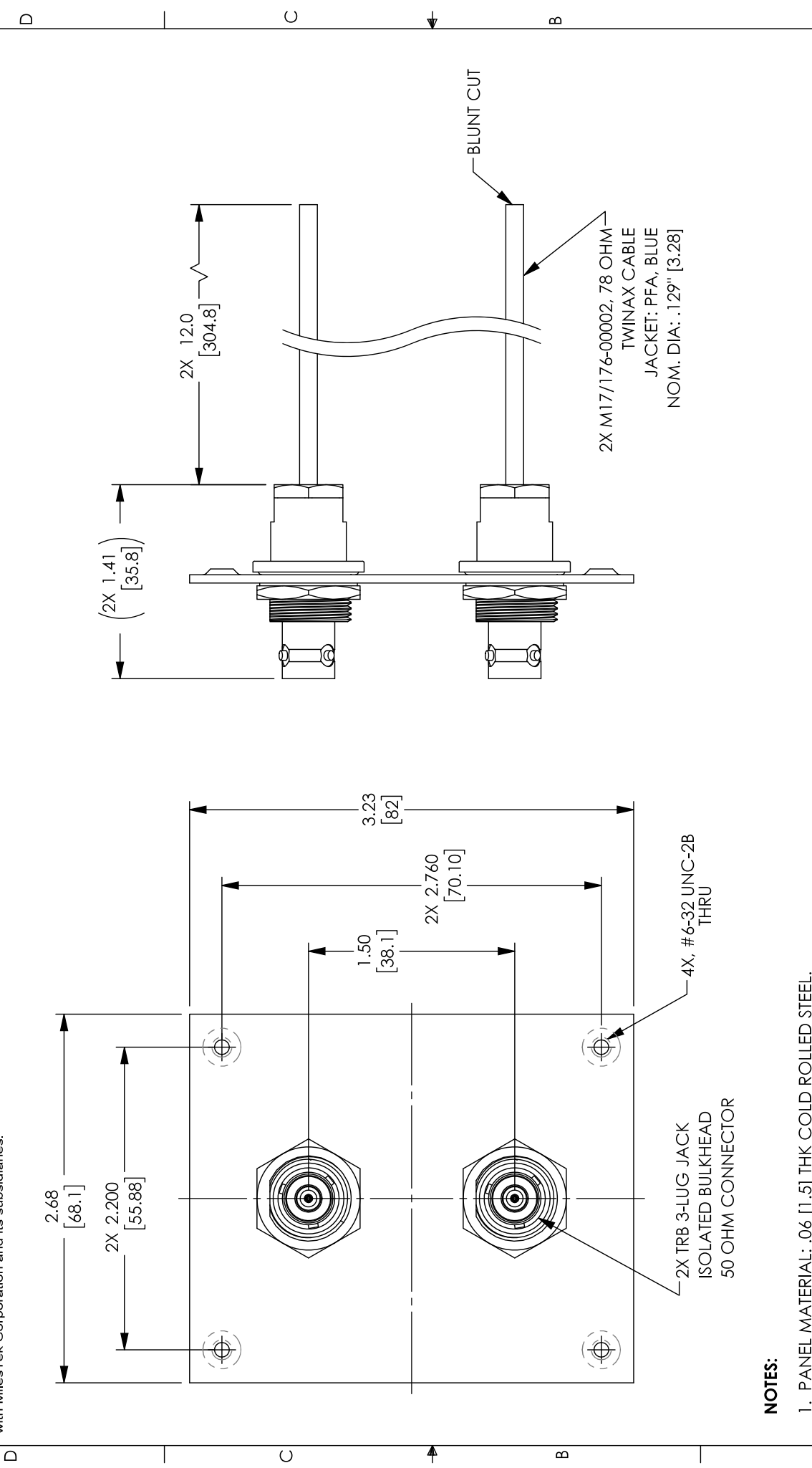


8 7 6 5 4 3 2 1

REV	DESCRIPTION	DATE	APPROVED
A	REV A DRAWING RELEASED	11/12/2018	DFRIBELLO



		MILESTEK CORPORATION 301 KENYON AVE. SUITE 100 FARMINGTON, CT 06031 PHONE: (949) 484-9400 FAX: (949) 564-1047	
SIGNATURE DRAWN BY: DFRIBELLO CHECKED BY: MMARTINEZ DATE: 11/07/2018		DATE 11/02/2018 11/07/2018 11/07/2018	
UNLESS OTHERWISE SPECIFIED ALL DIMENSIONS ARE IN INCHES. OVERALL CABLE LENGTH TOLERANCE: <math>\le 10 [253]</math> = $\pm .1 [2.5]</math> / -0                 <math>\le 10 [253]</math> <math>\le 100 [2540]</math> = \pm .1 [2.5]</math> / -0                 <math>\le 100 [2540]</math> <math>\le 500 [12700]</math> = \pm .1 [2.5]</math> / -0                 <math>\le 500 [12700]</math> = \pm .1 [2.5]</math> / -0                 ALL OTHER DIMENSIONAL TOLERANCES:                 .XX = \pm .01 [0.25]</math>                 .XXX = \pm .005 [0.13]</math> $		TITLE 2 JCK PNL BH RMNT 3 LUG ISO	
CONFIGURATION DETAILS OF UNDIMENSIONED FEATURES MAY VARY		SCALE: NTS	
CUSTOMER REFERENCE DOCUMENT:		CAGE CODE: 4Z977	
REV.		DRAWING NUMBER: REF00229-12N	
SHEET 1 OF 1		A	

- NOTES:**
- PANEL MATERIAL: .06 [1.5] THK COLD ROLLED STEEL.
  - PANEL FINISH: FLAT BLACK POWDER COAT.
  - KIT CONTAINS 4, #6-32 UNC SCREWS.
  - ALL DIMENSIONS SHOWN ARE FOR REFERENCE ONLY.
  - PANEL ASSEMBLY SHALL BE INDIVIDUALLY PACKAGED IN ACCORDANCE WITH MILESTEK SPECIFICATION PS-0054.
- REGULATORY COMPLIANCE:**  
CE2011/65/EU (RoHS DIRECTIVE)