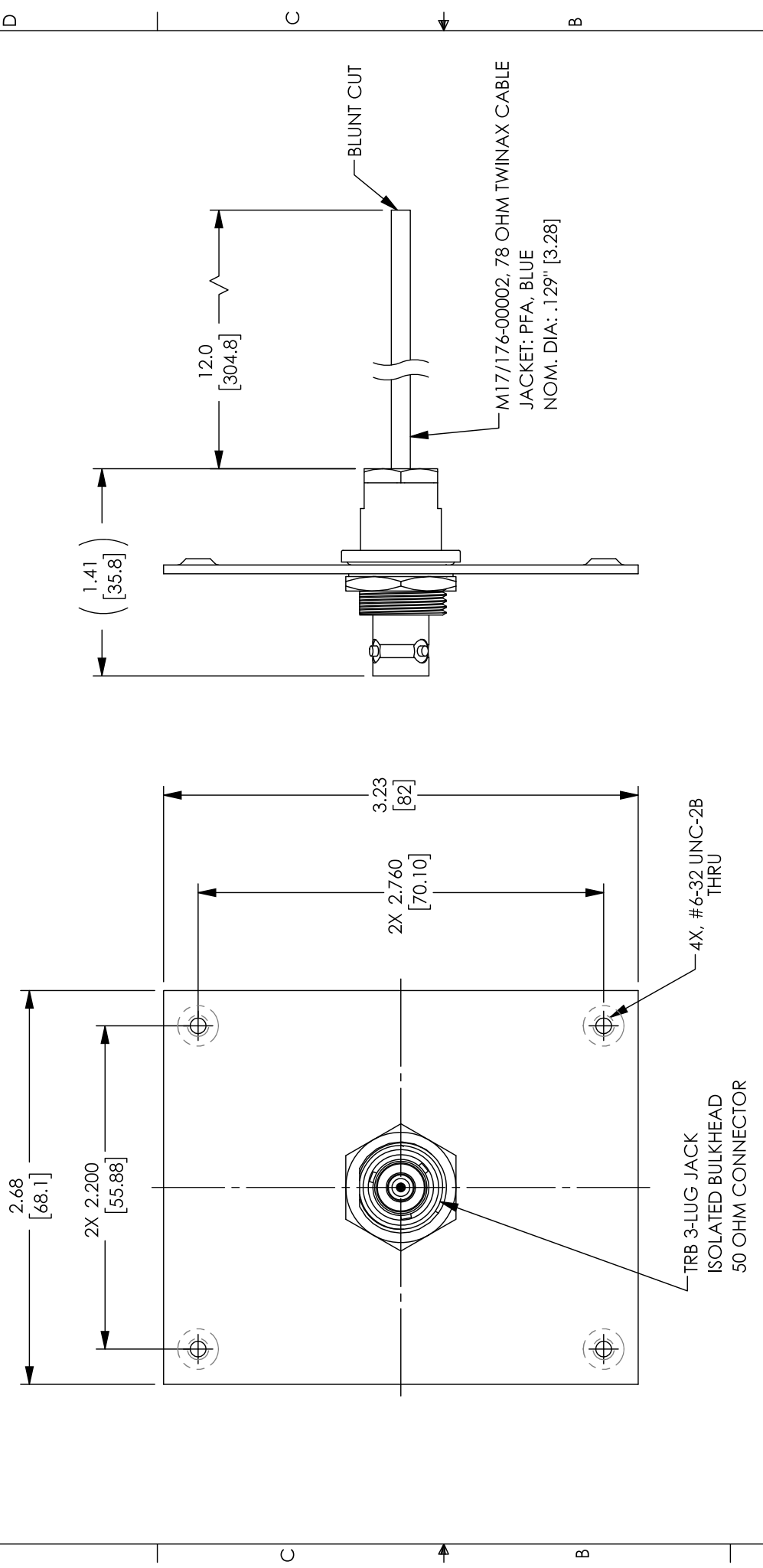


REV	DESCRIPTION	DATE	APPROVED
A	INITIAL RELEASE	11/07/2018	DFRIBELLO

REVISIONS			
REV	DESCRIPTION	DATE	APPROVED
A	INITIAL RELEASE	11/07/2018	DFRIBELLO



**PROPRIETARY NOTICE**  
 This document discloses confidential subject matter in which MilesTek Corporation and its subsidiaries have proprietary rights. Neither receipt nor possession thereof confers or transfers any right to reproduce or disclose the design, analysis, drawings, or information contained therein, in any physical article or device, or to practice any method or process, except by written permission from, or written agreement with MilesTek Corporation and its subsidiaries.

- NOTES:**
1. PANEL MATERIAL: .06 [1.5] THK COLD ROLLED STEEL.
  2. PANEL FINISH: FLAT BLACK POWDER COAT.
  3. KIT CONTAINS 4, #6-32 UNC SCREWS.
  4. ALL DIMENSIONS SHOWN ARE FOR REFERENCE ONLY.
  5. PANEL ASSEMBLY SHALL BE INDIVIDUALLY PACKAGED IN ACCORDANCE WITH MILESTEK SPECIFICATION PS-0054.

**REGULATORY COMPLIANCE:**  
 CE2011/65/EU (RoHS DIRECTIVE)

SIGNATURE	DATE
DFRIBELLO	11/01/2018
M MARTINEZ	11/07/2018
M MARTINEZ	11/07/2018

UNLESS OTHERWISE SPECIFIED ALL DIMENSIONS ARE IN INCHES  
 OVERALL CABLE LENGTH TOLERANCE:  
 >10 [254] (95) = +.1 [2.5] / -.0  
 >10 [254] (50) = +.1 [2.5] / -.0  
 >10 [254] (20) = +.1 [2.5] / -.0  
 >10 [254] (5) = +.1 [2.5] / -.0  
 >10 [254] (1) = +.1 [2.5] / -.0  
 ALL OTHER DIMENSIONAL TOLERANCES:  
 .XX = +.005 [0.125]  
 .XXX = +.005 [0.125]  
 .XXX = +.005 [0.125]

CONFIGURATION DETAILS OF UNDIMENSIONED FEATURES MAY VARY

CAGE CODE: 4Z977

SCALE: NTS

DRAWING NUMBER: REF00221-12N

TITLE: 1 JCK PNL BH RMNT 3 LUG ISO

MILESTEK CORPORATION  
 301 KENYON AVE., SUITE 100  
 FARMINGTON, CT 06030  
 PHONE: (949) 484-9400  
 FAX: (949) 564-1047

REV. A

SHEET 1 OF 1

1 2 3 4 5 6 7 8