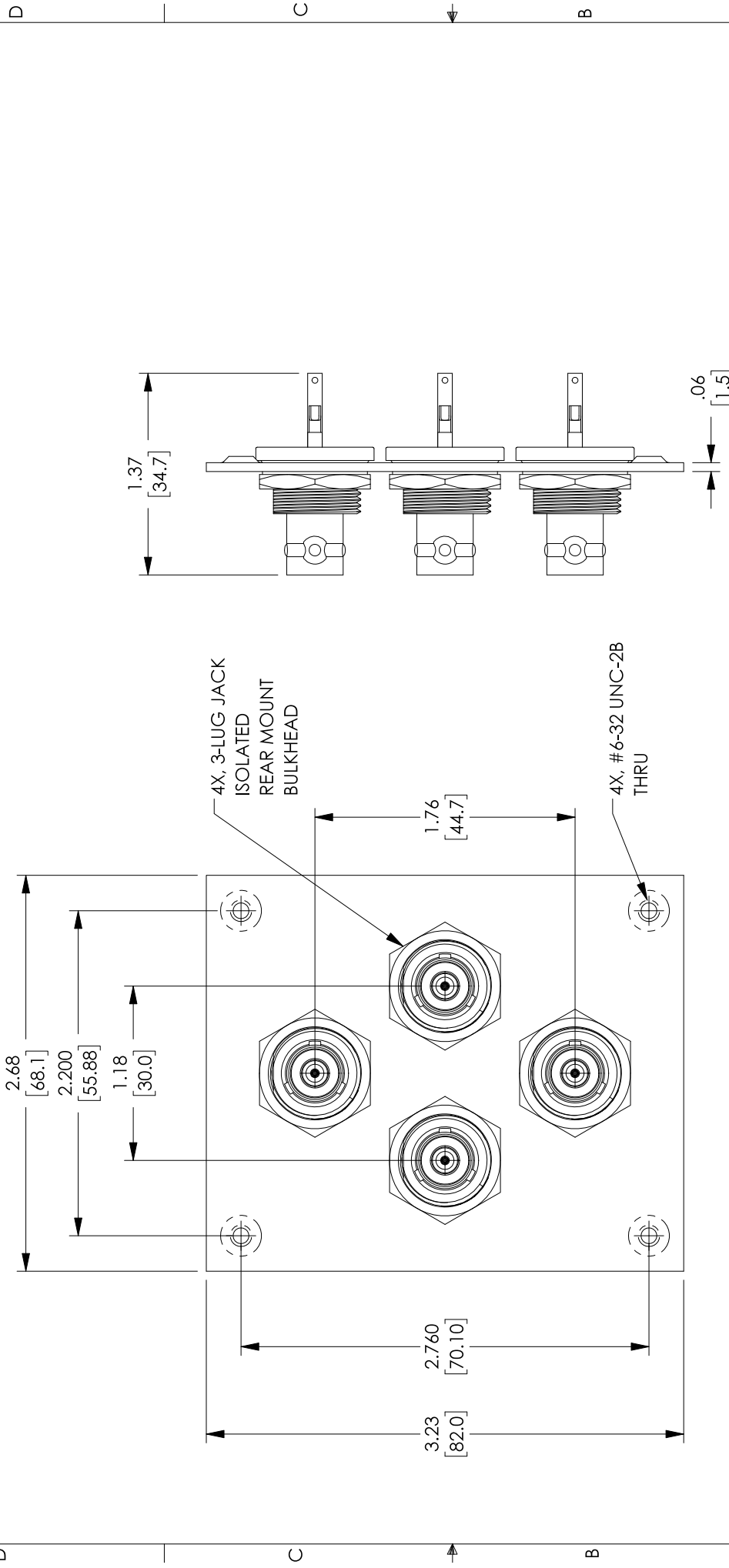


8 7 6 5 4 3 2 1

PROPRIETARY NOTICE

This document discloses confidential subject matter in which MilesTek Corporation and its subsidiaries have proprietary rights. Neither receipt nor possession thereof confers or warrants the right to reproduce, copy, distribute, or any other use of the information contained therein, or any physical article or device, or to practice any method or process, except by written permission from, or written agreement with MilesTek Corporation and its subsidiaries.



NOTES:

1. PANEL MATERIAL: .06 [1.5] THK COLD ROLLED STEEL.
2. PANEL FINISH: FLAT BLACK POWDER COAT.
3. KIT CONTAINS 4, #6-32 UNC SCREWS.
4. ALL DIMENSIONS SHOWN ARE FOR REFERENCE ONLY.
5. PANEL ASSEMBLY SHALL BE INDIVIDUALLY PACKAGED IN ACCORDANCE WITH MILESTEK SPECIFICATION PS-0054.

REGULATORY COMPLIANCE:

CE2011/65/EU (RoHS DIRECTIVE)

REV	DESCRIPTION	DATE	APPROVED
A	REV A DRAWING RELEASED	08/30/2018	DFRRIELLO

		MILESTEK CORPORATION 301 ROCKWELL ST. SUITE 100 ROCKWELL, NJ 07866 PHONE: (943) 484-4400 FAX: (943) 564-1047	
SIGNATURE DRAWN BY: DFRRIELLO CHECKED BY: MMARTINEZ APPROVED BY: MMARTINEZ		DATE 08/30/2018 08/31/2018 08/30/2018	
UNLESS OTHERWISE SPECIFIED ALL DIMENSIONS ARE IN INCHES OVERALL CABLE LENGTH TOLERANCE: $0.5/2 [9.5] = +.1 [2.5] / -0$ $1.5/3 [38.1] = +.2 [5.1] / -0$ $3.0/76.2 [76.2] = +.4 [10.2] / -0$ $5.0/127 [127] = +.6 [15.2] / -0$ $5.00 [127.0] = +.5% / -2.5%$ ALL OTHER DIMENSIONAL TOLERANCES: .XX = ±.005 [0.127] .XXX = ±.002 [0.051]		TITLE 4 JCK PNL BH RMNT 3 LUG ISO	
CUSTOMER REFERENCE DOCUMENT: CAGE CODE: 4Z977		SEE DRAWING NUMBER: REF00217	
SCALE: NTS		SHEET 1 OF 1	

8 7 6 5 4 3 2 1