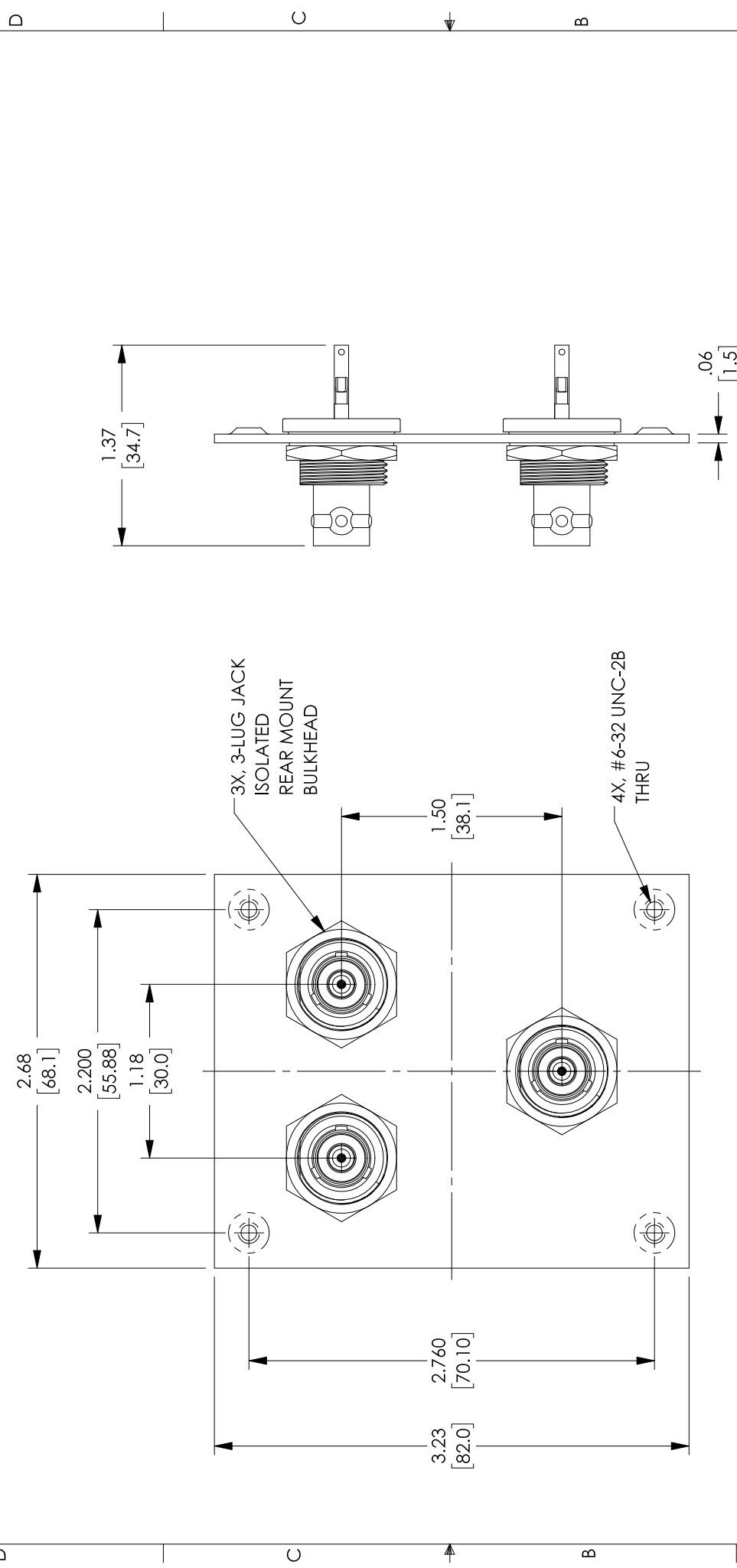


REV	DESCRIPTION	DATE	APPROVED
A	REV A DRAWING RELEASED	08/24/2018	DFRRIELLO

REVISIONS			

**PROPRIETARY NOTICE**  
 This document discloses confidential subject matter in which MilesTek Corporation and its subsidiaries have proprietary rights. Neither receipt nor possession thereof confers or warrants that any information contained therein, or any physical article or device, or to practice any method or process, except by written permission from, or written agreement with MilesTek Corporation and its subsidiaries.



**NOTES:**

- PANEL MATERIAL: .06 [1.5] THK COLD ROLLED STEEL.
- PANEL FINISH: FLAT BLACK POWDER COAT.
- KIT CONTAINS 4, #6-32 UNC SCREWS.
- ALL DIMENSIONS SHOWN ARE FOR REFERENCE ONLY.
- PANEL ASSEMBLY SHALL BE INDIVIDUALLY PACKAGED IN ACCORDANCE WITH MILESTEK SPECIFICATION PS-0054.

**REGULATORY COMPLIANCE:**  
 CE2011/65/EU(RoHS DIRECTIVE)

**Milestek**  
 Milestek Corporation  
 301 E. WYOMING AVE. SUITE 100  
 DENVER, CO 80202  
 PHONE: (940) 484-4400  
 FAX: (940) 564-1047

**3 JCK PNL BH RMNT 3 LUG ISO**

SIGNATURE	DATE
DFRRIELLO	08/24/2018
M MARTINEZ	08/31/2018
M MARTINEZ	08/31/2018

UNLESS OTHERWISE SPECIFIED ALL DIMENSIONS ARE IN INCHES  
 OVERALL CABLE LENGTH TOLERANCE:  
 <math>\le 50 [1270]</math> = +.1 [25] / -0  
 <math>\le 100 [2540]</math> = +.1 [25] / -0  
 <math>\le 120 [3048]</math> = +.1 [25] / -0  
 <math>\le 200 [5080]</math> = +.1 [25] / -0  
 <math>\le 300 [7620]</math> = +.1 [25] / -0  
 ALL OTHER DIMENSIONAL TOLERANCES:  
 .XX = +.005 [-0.005]  
 .XXX = +.005 [-0.005]

CAGE CODE: 4Z977

DRAWING NUMBER: REF00214

SCALE: NTS

SHEET 1 OF 1