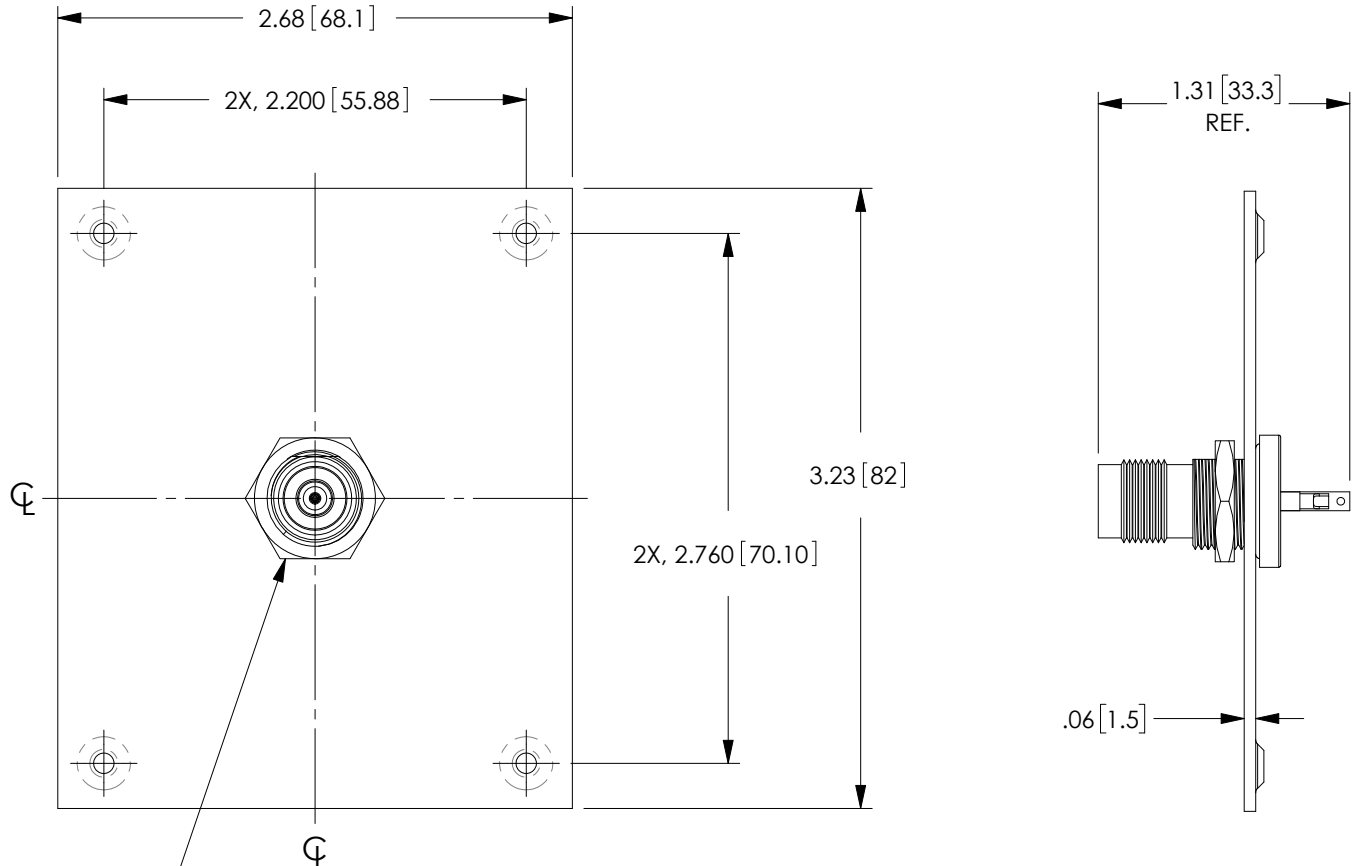


PROPRIETARY NOTICE

This document discloses confidential subject matter in which MilesTek Corporation and its subsidiaries have proprietary rights. Neither receipt nor possession thereof confers or transfers any right to reproduce or disclose the document, any part thereof, any information contained therein, or any physical article or device, or to practice any method or process, except by written permission from, or written agreement with MilesTek Corporation and its subsidiaries.

REV	REVISIONS		
	DESCRIPTION	DATE	APPROVED
A	REV A RELEASED	06/19/2018	BPUCHASKI



TRB JACK BULKHEAD
REAR MOUNT THREADED
NON-ISOLATED

NOTES:

1. PANEL MATERIAL: .06 [1.5] THK COLD ROLLED STEEL.
2. PANEL FINISH: FLAT BLACK POWDER COAT.
3. KIT CONTAINS 4, #6-32 UNC SCREWS.
4. ASSEMBLY SHALL BE INDIVIDUALLY PACKAGED IN ACCORDANCE WITH MILESTEK SPECIFICATION PS-0054.

REGULATORY COMPLIANCE:
CE2011/65/EU(RoHS DIRECTIVE)

NON CONTROLLED DRAWING IF PRINTED

CAD SYSTEM DRAWING - DO NOT REVISE MANUALLY			
UNLESS OTHERWISE SPECIFIED ALL DIMENSIONS ARE IN INCHES		SIGNATURE	DATE
OVERALL CABLE LENGTH TOLERANCE: ≤12 [305] = +1 [25] / -0 >12 [305] ≤60 [1524] = +2 [51] / -0 >60 [1524] ≤120 [3048] = +4 [102] / -0 >120 [3048] ≤300 [7620] = +6 [152] / -0 >300 [7620] = +5% / -0%		DRAWN BY: BPUCHASKI	06/12/2018
ALL OTHER DIMENSIONAL TOLERANCES: .X = ±.2 [5.08] .XX = ±.02 [1.51] .XXX = ±.005 [1.3]		CHECKED BY: DFRISIELLO	06/12/2018
CUSTOMER REFERENCE DOCUMENT:		APPROVED ENGINEERING: M.MARTINEZ	06/11/18
DASH	NEXT ASSY	USED ON	CUSTOMER APPROVAL
APPLICATION		CAGE CODE: 42977	TITLE 1 JCK PNL BH RMNT THRD NI
			SIZE A
			DRAWING NUMBER: REF00150
			SCALE: NTS
			SHEET 1 OF 1



MILESTEK CORPORATION
301 LEORA LANE, SUITE 100
LEWISVILLE, TX 75056
PHONE: (940) 484-9400
FAX: (940) 566-1047