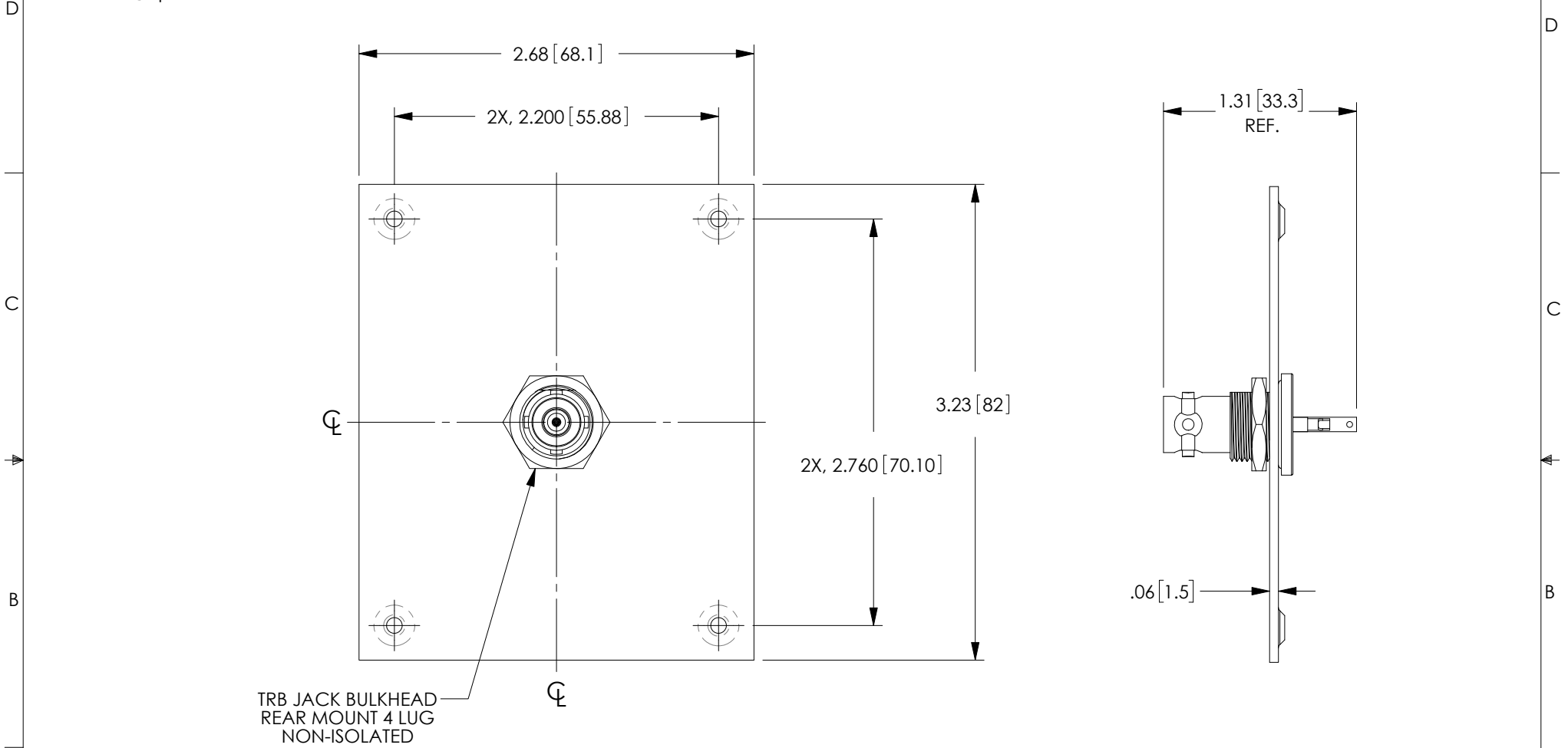


PROPRIETARY NOTICE

This document discloses confidential subject matter in which MilesTek Corporation and its subsidiaries have proprietary rights. Neither receipt nor possession thereof confers or transfers any right to reproduce or disclose the document, any part thereof, any information contained therein, or any physical article or device, or to practice any method or process, except by written permission from, or written agreement with MilesTek Corporation and its subsidiaries.

REV	REVISIONS		
	DESCRIPTION	DATE	APPROVED
A	REV A RELEASED	06/19/2018	BPUCHASKI



TRB JACK BULKHEAD  
REAR MOUNT 4 LUG  
NON-ISOLATED

NOTES:

1. PANEL MATERIAL: .06 [1.5] THK COLD ROLLED STEEL.
2. PANEL FINISH: FLAT BLACK POWDER COAT.
3. KIT CONTAINS 4, #6-32 UNC SCREWS.
4. ASSEMBLY SHALL BE INDIVIDUALLY PACKAGED IN ACCORDANCE WITH MILESTEK SPECIFICATION PS-0054.

**REGULATORY COMPLIANCE:**  
CE2011/65/EU(RoHS DIRECTIVE)

**NON CONTROLLED DRAWING IF PRINTED**

CAD SYSTEM DRAWING - DO NOT REVISE MANUALLY					
UNLESS OTHERWISE SPECIFIED ALL DIMENSIONS ARE IN INCHES		SIGNATURE	DATE	MilesTek Military   Aerospace   Communications   Healthcare	
OVERALL CABLE LENGTH TOLERANCE: ≤12 [305] = +1 [25] / -0 >12 [305] ≤60 [1524] = +2 [51] / -0 >60 [1524] ≤120 [3048] = +4 [102] / -0 >120 [3048] ≤300 [7620] = +6 [152] / -0 >300 [7620] = +5% / -0%		DRAWN BY: BPUCHASKI	06/08/2018	MILESTEK CORPORATION 301 LEORA LANE, SUITE 100 LEWISVILLE, TX 75056 PHONE: (940) 484-9400 FAX: (940) 566-1047	
ALL OTHER DIMENSIONAL TOLERANCES: .X = ±.2 [5.08] .XX = ±.02 [1.51] .XXX = ±.005 [1.3]		CHECKED BY: DFRISIELLO	06/08/2018	TITLE 1 JCK PNL BH RMNT 4 LUG NI	
DASH NEXT ASSY USED ON		APPROVED ENGINEERING: M.MARTINEZ	06/08/18	DRAWING NUMBER: REF00148	
APPLICATION		CUSTOMER APPROVAL	CAGE CODE: 42977	SCALE: NTS SHEET 1 OF 1	
CUSTOMER REFERENCE DOCUMENT:					