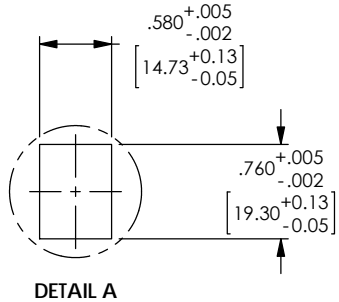
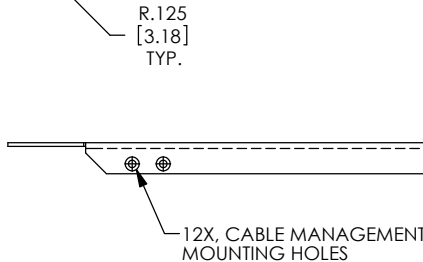
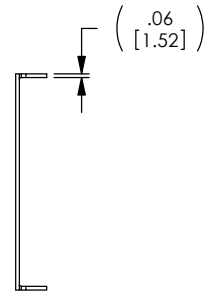
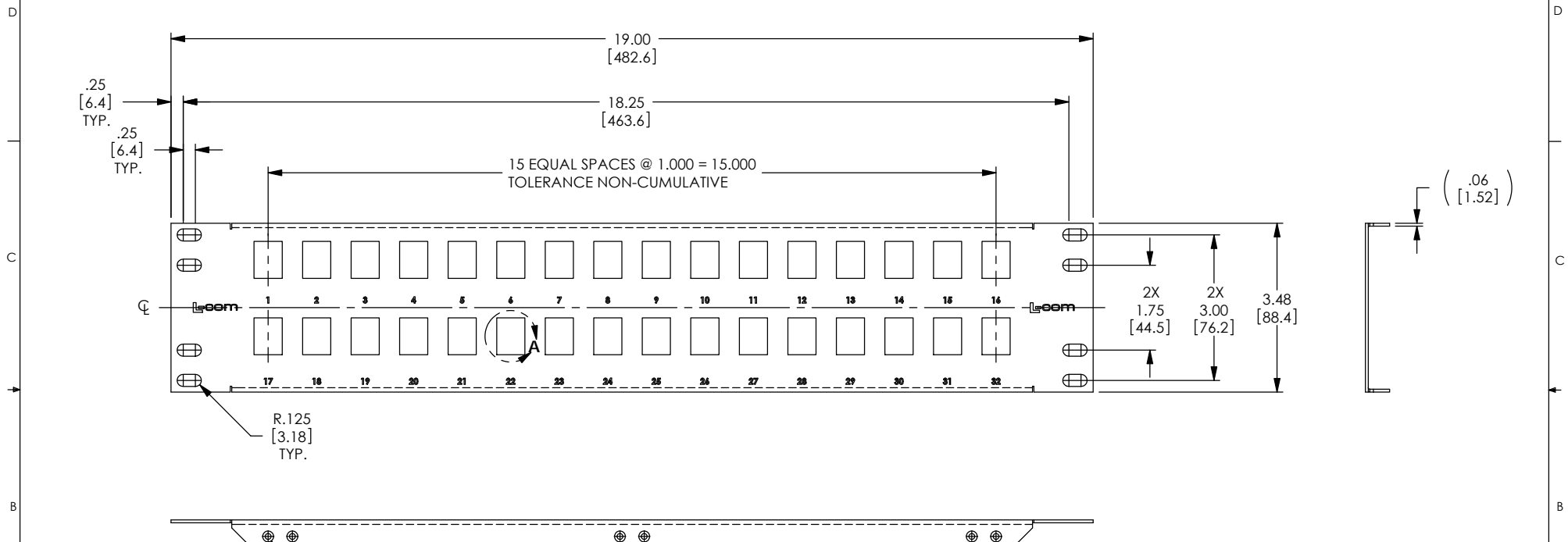


8 7 6 5 4 3 2 1

PROPRIETARY NOTICE
 This document discloses confidential subject matter in which MilesTek Corporation and its subsidiaries have proprietary rights. Neither receipt nor possession thereof confers or transfers any right to reproduce or disclose the document, any part thereof, any information contained therein, or any physical article or device, or to practice any method or process, except by written permission from, or written agreement with MilesTek Corporation and its subsidiaries.

REVISIONS			
REV	DESCRIPTION	DATE	APPROVED
A	INITIAL RELEASE	5/26/17	D.FRISIELLO



- NOTES:**
1. MATERIAL: .06 THICK COLD ROLLED STEEL.
 2. PANEL FINISH: FLAT BLACK POWDER COAT.
 3. SILKSCREEN COLOR: WHITE.
 4. PANEL SHALL BE PACKAGED IN ACCORDANCE WITH SPECIFICATION PS-0054.

REGULATORY COMPLIANCE:
 CE2011/65/EU(RoHS DIRECTIVE)

NON CONTROLLED DRAWING IF PRINTED

AS9100C CERTIFIED	CAD SYSTEM DRAWING - DO NOT REVISE MANUALLY		
UNLESS OTHERWISE SPECIFIED ALL DIMENSIONS ARE IN INCHES	SIGNATURE	DATE	
OVERALL: CABLE LENGTH TOLERANCE: ±12 (50%) = +1 (20) / -0	D.FRISIELLO	5/26/17	
±12 (50%) = +1 (20) / -0	M.MARTINEZ	5/26/17	TITLE 2U x 19" PANEL, 32 KEYSTONE CUTOUTS
+40 (1524) (120) (3048) = +4 (102) / -0	M.MARTINEZ	5/26/17	
>300 (7620) = +5% / -0%	CUSTOMER APPROVAL		DASH NEXT ASSY USED ON APPLICATION CUSTOMER REFERENCE DOCUMENT:
ALL OTHER DIMENSIONAL TOLERANCES: XX = ±.0150 XXX = ±.005 (1.3)	CAGE CODE: 42977		DRAWING NUMBER: REF00139
			SCALE: NIS SHEET 1 OF 1