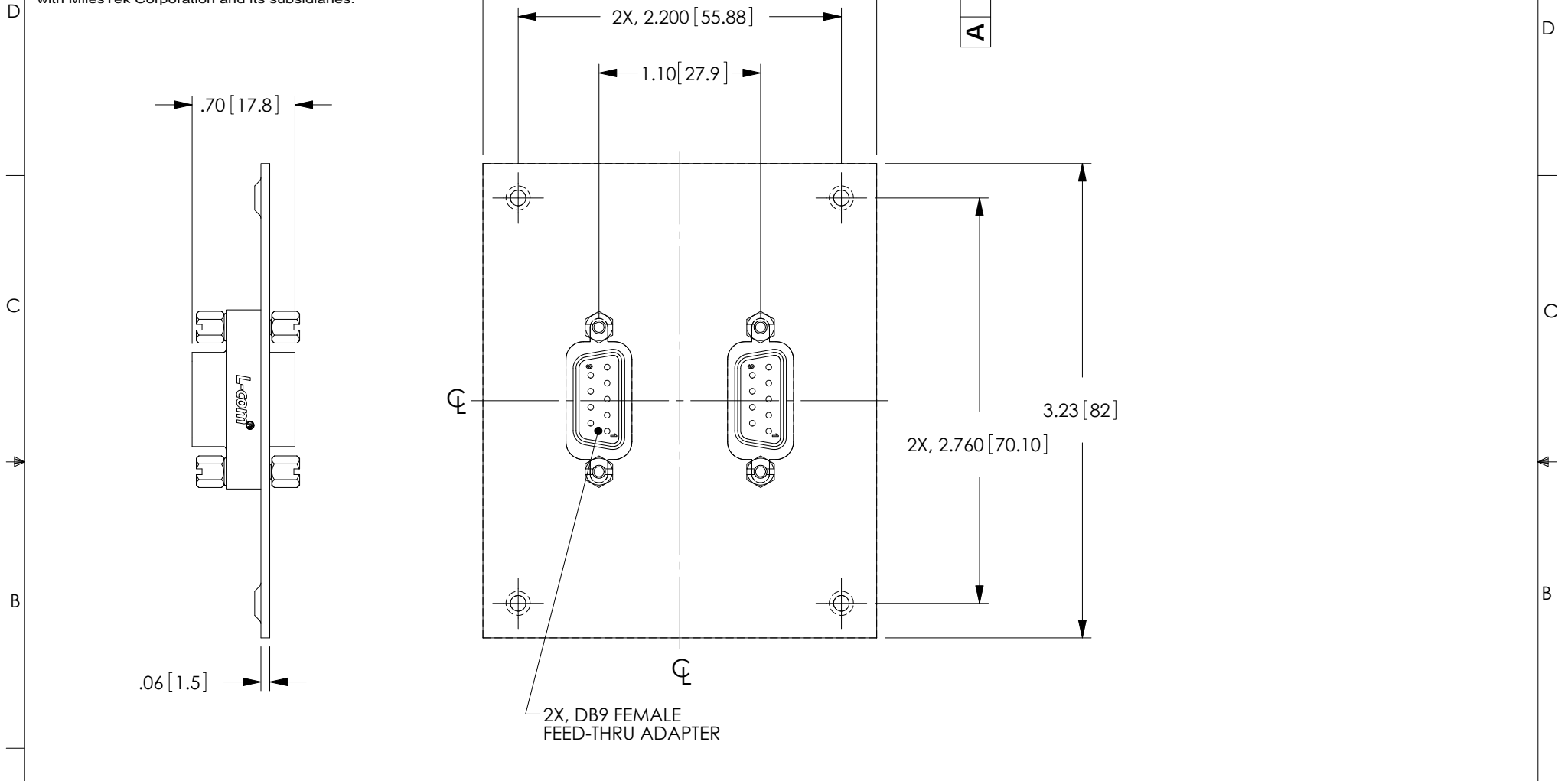


PROPRIETARY NOTICE

This document discloses confidential subject matter in which MilesTek Corporation and its subsidiaries have proprietary rights. Neither receipt nor possession thereof confers or transfers any right to reproduce or disclose the document, any part thereof, any information contained therein, or any physical article or device, or to practice any method or process, except by written permission from, or written agreement with MilesTek Corporation and its subsidiaries.

REVISIONS			
REV	DESCRIPTION	DATE	APPROVED
A	INITIAL RELEASE	5/31/17	D.FRISIELLO



2X, DB9 FEMALE FEED-THRU ADAPTER

- NOTES:
1. PANEL MATERIAL: .06 [1.5] THK COLD ROLLED STEEL.
 2. PANEL FINISH: FLAT BLACK POWDER COAT.
 3. KIT CONTAINS 4, #6-32 UNC SCREWS.
 4. ASSEMBLY SHALL BE INDIVIDUALLY PACKAGED IN ACCORDANCE WITH SPECIFICATION PS-0054.

REGULATORY COMPLIANCE:
CE2011/65/EU(RoHS DIRECTIVE)

NON CONTROLLED DRAWING IF PRINTED

AS9100C CERTIFIED			CAD SYSTEM DRAWING - DO NOT REVISE MANUALLY			
UNLESS OTHERWISE SPECIFIED ALL DIMENSIONS ARE IN INCHES OVERALL CABLE LENGTH TOLERANCE: ≤12 [305] = +1 [25] / -0 >12 [305] ≤60 [1524] = +2 [51] / -0 >60 [1524] ≤120 [3048] = +4 [102] / -0 >120 [3048] ≤300 [7620] = +6 [152] / -0 >300 [7620] = +5% / -0% ALL OTHER DIMENSIONAL TOLERANCES: .X = ±.2 [5.08] .XX = ±.02 [5.1] .XXX = ±.005 [1.3]			SIGNATURE	DATE	MILESTEK CORPORATION 1506 INTERSTATE 35 WEST DENTON, TX 76207 PHONE: 866.524.1553 FAX: 940.591.7086	
			DRAWN BY: D.FRISIELLO	5/31/17		
			CHECKED BY: M.MARTINEZ	5/31/17	TITLE USP SUB-PNL W/2 DB9 F-F CPLR	
			APPROVED ENGINEERING: M.MARTINEZ	5/31/17		
APPROVED MANUFACTURING:			CUSTOMER APPROVAL		SIZE A	DRAWING NUMBER: REF00030
DASH NEXT ASSY USED ON APPLICATION			CAGE CODE: 42977		SCALE: NTS	SHEET 1 OF 1