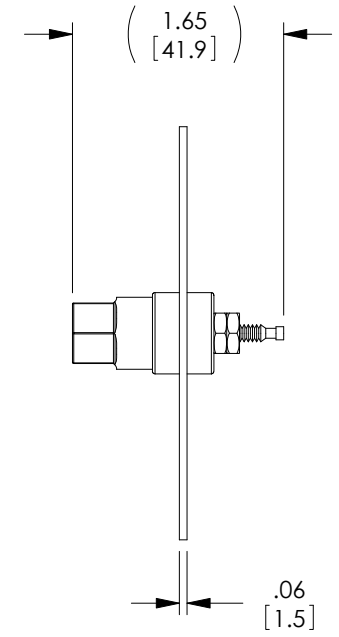
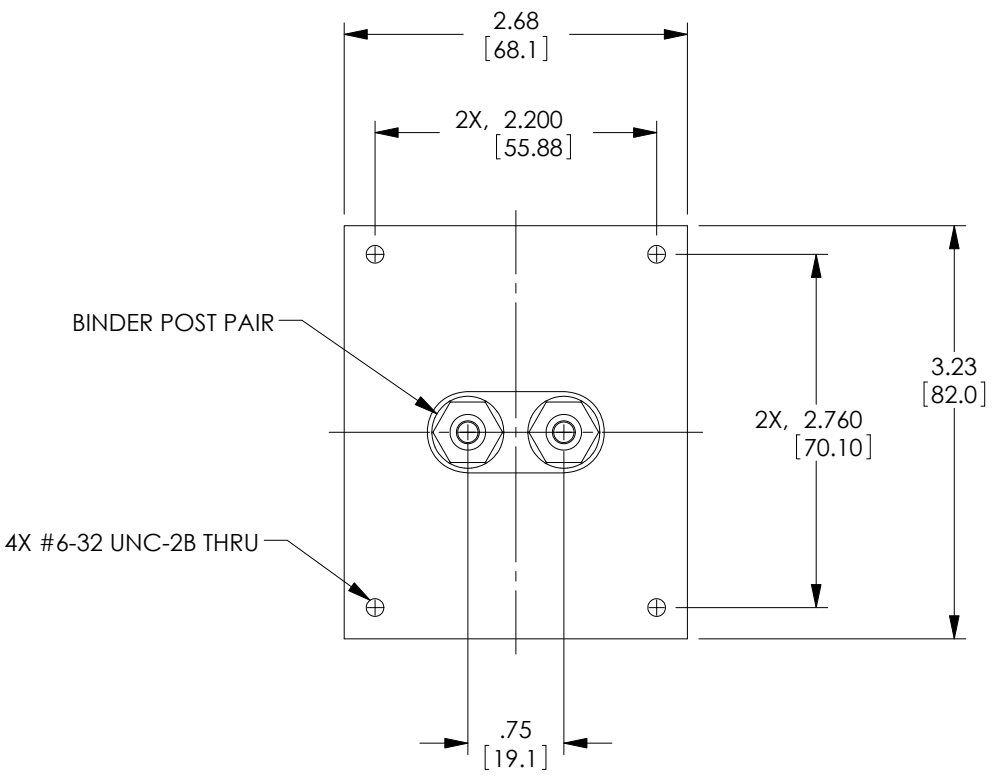


PROPRIETARY NOTICE

This document discloses confidential subject matter in which MilesTek Corporation and its subsidiaries have proprietary rights. Neither receipt nor possession thereof confers or transfers any right to reproduce or disclose the document, any part thereof, any information contained therein, or any physical article or device, or to practice any method or process, except by written permission from, or written agreement with MilesTek Corporation and its subsidiaries.

REV	REVISIONS		
	DESCRIPTION	DATE	APPROVED
A	INITIAL RELEASE	6/1/17	D.FRISIELLO



- NOTES:
1. PANEL MATERIAL: .06 [1.5] THICK COLD ROLLED STEEL
 2. PANEL FINISH: FLAT BLACK POWDER COAT
 3. KIT CONTAINS 4, #6-32 UNC-2A PAN HEAD SCREWS. (NOT SHOWN)
 4. ALL DIMENSIONS SHOWN ARE FOR REFERENCE ONLY.
 5. COMPONENT ASSEMBLY SHALL BE INDIVIDUALLY PACKAGED IN ACCORDANCE WITH SPECIFICATION PS-0054.

NON CONTROLLED DRAWING IF PRINTED

AS9100C CERTIFIED			CAD SYSTEM DRAWING - DO NOT REVISE MANUALLY			
UNLESS OTHERWISE SPECIFIED ALL DIMENSIONS ARE IN INCHES			SIGNATURE	DATE	MilesTek	
OVERALL CABLE LENGTH TOLERANCE:			D.FRISIELLO	6/1/17	MILESTEK CORPORATION 1506 INTERSTATE 35 WEST DENTON, TX 76207 PHONE: 866.524.1553 FAX: 940.591.7086	
≤12 [305] = +1 [25] / -0			CHECKED BY:		TITLE	
>12 [305] ≤60 [1524] = +2 [51] / -0			M.MARTINEZ	6/1/17	USP SUB-PNL W/ BIND POST BK/RD	
>60 [1524] ≤120 [3048] = +4 [102] / -0			APPROVED ENGINEERING:		SIZE	
>120 [3048] ≤300 [7620] = +6 [152] / -0			M.MARTINEZ	6/1/17	DRAWING NUMBER:	
>300 [7620] = +5% / -0%			APPROVED MANUFACTURING:		A REF00006	
ALL OTHER DIMENSIONAL TOLERANCES:			CUSTOMER APPROVAL		SCALE: NTS	
.X = ±.2 [5.08]					SHEET 1 OF 1	
.XX = ±.02 [1.51]					CAGE CODE: 42977	
.XXX = ±.005 [1.3]					APPLICATION	
DASH	NEXT ASSY	USED ON	CUSTOMER REFERENCE DOCUMENT:			