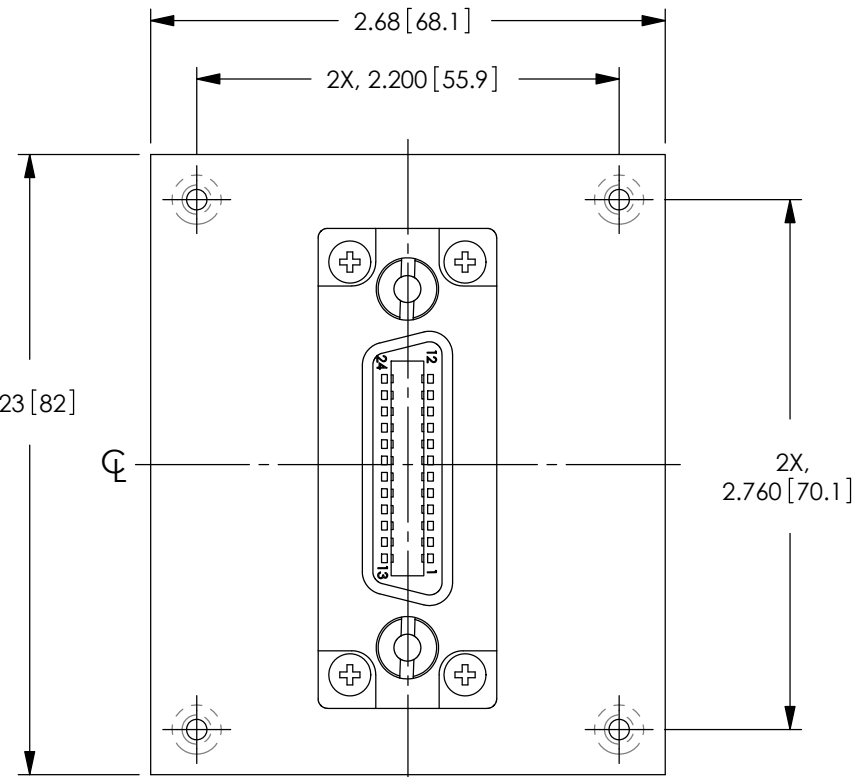
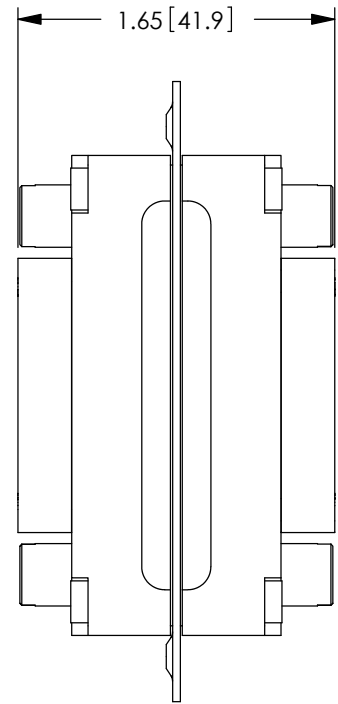
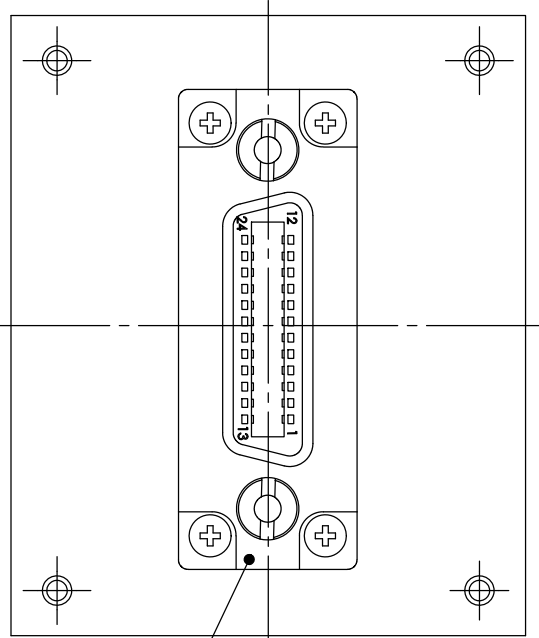


PROPRIETARY NOTICE

This document discloses confidential subject matter in which MilesTek Corporation and its subsidiaries have proprietary rights. Neither receipt nor possession thereof confers or transfers any right to reproduce or disclose the document, any part thereof, any information contained therein, or any physical article or device, or to practice any method or process, except by written permission from, or written agreement with MilesTek Corporation and its subsidiaries.

REV	REVISIONS		
	DESCRIPTION	DATE	APPROVED
A	INITIAL RELEASE	5/30/17	D.FRISIELLO



IEEE-488 F/F
CONNECTOR
NORMAL ENTRY

NOTES:

1. PANEL MATERIAL: .04 [1.0] THK COLD ROLLED STEEL.
2. PANEL FINISH: FLAT BLACK POWDER COAT.
3. KIT CONTAINS 4, #6-32 UNC SCREWS.
4. ASSEMBLY SHALL BE INDIVIDUALLY PACKAGED IN ACCORDANCE WITH SPECIFICATION PS-0054.

REGULATORY COMPLIANCE:
CE2011/65/EU(RoHS DIRECTIVE)

NON CONTROLLED DRAWING IF PRINTED

AS9100C CERTIFIED			CAD SYSTEM DRAWING - DO NOT REVISE MANUALLY			
UNLESS OTHERWISE SPECIFIED ALL DIMENSIONS ARE IN INCHES OVERALL CABLE LENGTH TOLERANCE: ≤12 [305] = +1 [25] / -0 >12 [305] ≤60 [1524] = +2 [51] / -0 >60 [1524] ≤120 [3048] = +4 [102] / -0 >120 [3048] ≤300 [7620] = +6 [152] / -0 >300 [7620] = +5% / -0% ALL OTHER DIMENSIONAL TOLERANCES: .X = ±.2 [5.08] .XX = ±.02 [51] .XXX = ±.005 [13]			SIGNATURE	DATE	MILESTEK CORPORATION 1506 INTERSTATE 35 WEST DENTON, TX 76207 PHONE: 866.524.1553 FAX: 940.591.7086	
			DRAWN BY: D.FRISIELLO	5/30/17		
CUSTOMER REFERENCE DOCUMENT: APPLICATION			CHECKED BY: M.MARTINEZ	5/30/17	TITLE USP SUB PANEL, IEEE-488 BULKHEAD COUPLER, NORMAL ENTRY	
			APPROVED ENGINEERING: M.MARTINEZ	5/30/17		
DASH NEXT ASSY USED ON			APPROVED MANUFACTURING:	SIZE A DRAWING NUMBER: REF00003		
			CUSTOMER APPROVAL			
CAGE CODE: 42977			SCALE: NTS		SHEET 1 OF 1	