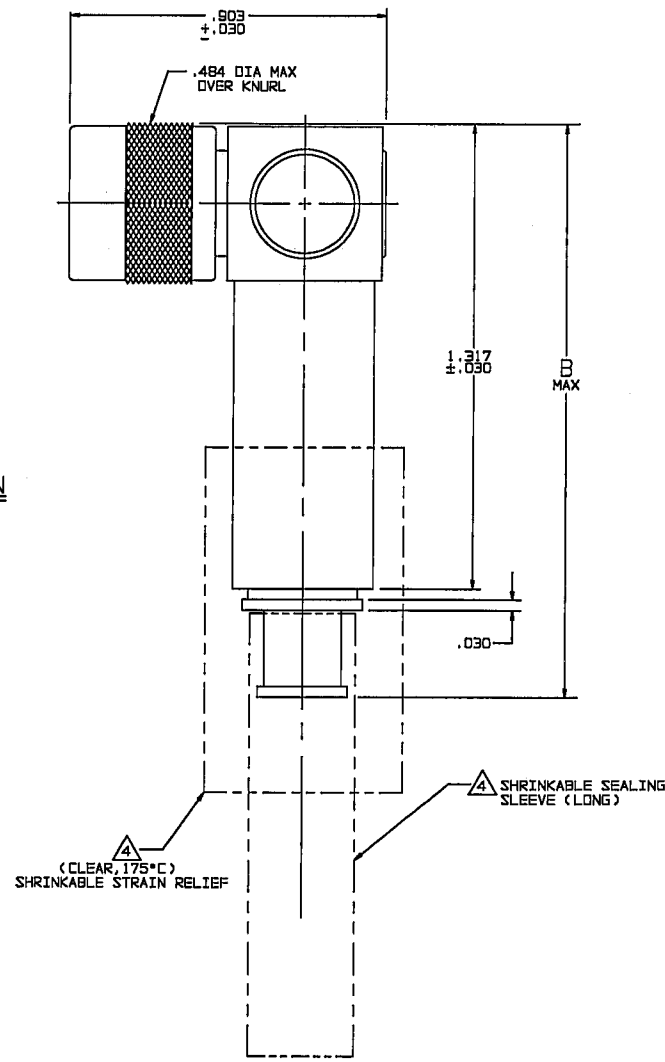
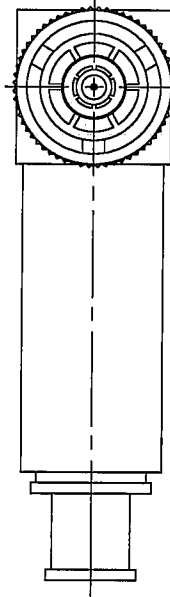


# RED INDICATES ORIGINAL

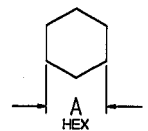
DASH NO	CABLES ACCOMMODATED	A HEX	B MAX	ASSEMBLE PER
-201	M17/17B-00002	.344	1.77	TAI-189
-202	TWC-7B-1			
-203	TWC-124-1A			
-204	10802, RAYCHEM			
-205	TWAC-7B-1F2			
-206	782800130, RAYCHEM			
-207	83310 BELDEN			
-208	202-3827 MICRODOT			
-209	202-3842 MICRODOT			
-210	8451 BELDEN			
-211	202-3834 MICRODOT	1.52	TAI-161	
-212	2524E0114, RAYCHEM			
-213	TWC-7B-2			
-214	TWC-124-2			
-215	BL-982 TIMES			
-216	BL-1242 TIMES			
-217	GCB75TM24H, GRUMMAN	1.77	TAI-189	
-218	EPD 22188B, RAYCHEM			
-219	252801114, RAYCHEM			
-220	GCB75RR1, GRUMMAN			
-221	10814, RAYCHEM			
-222	10613, RAYCHEM			
-223	HMS2-1149, HUGHES	1.52	TAI-161	
-224	TWCP-124-3			
-225	PS665PL, PRIME STOCK	1.78	TAI-154	
-301	GCB75G1, GRUMMAN			
-302	5022E5111; RAYCHEM; GCB75G1, GRUMMAN			
-303	7528A5314, RAYCHEM	1.76	TAI-154	
-304				
-305	M17/177-00001, THERMATICS	1.47	TAI-178	
-306	TRC-50-2			
-307	M17/134-00002	1.78	TAI-154	
-308	TRC-75-1			
-309	TRC-75-2	1.47	TAI-178	
-310	TRC-50-1			

REVISIONS				310-0070	SH 1
REV	ED	DESCRIPTION	DWN	APPROVED	DATE
H	12388	ADDED -224 & -225; SEE ECO	DBN	AM	2-6-98



-201 SHOWN

INCH	MM
.005	0.13
.030	0.76
.344	8.74
.484	12.29
.903	22.94
1.00	25.40
1.25	31.75
1.317	33.45
1.47	37.34
1.52	38.61
1.75	44.45
1.78	44.70
1.77	44.96



RECOMMENDED  
HEX CRIMP  
SCALE: NONE

- A** 1 SHRINKABLE STRAIN RELIEF AND/OR SHRINKABLE SEALING SLEEVE SUPPLIED LOOSE AS FOLLOWS:
- CABLE GROUPS -201 THROUGH -210, -217 THROUGH -303, -305, -307 & -309
    - 1 SHRINKABLE STRAIN RELIEF (1.00 LONG)
    - 1 SHRINKABLE SEALING SLEEVE (1.25 LONG)
  - CABLE GROUPS -211 THROUGH -216, -306 & -308
    - 1 SHRINKABLE STRAIN RELIEF (1.75 LONG)
2. FINISH: TFS-1A (NICKEL)
3. CONCENTRIC TWIAX/TRIAX TRS 3-LUG RIGHT ANGLE FULL CRIMP CABLE PLUG
1. ALL DIM ARE IN INCHES

6. EXAMPLE OF COMPLETE MODEL NO:  
PLR155AC-201
- BASIC MODEL NO \_\_\_\_\_ CABLE GROUP DASH NO \_\_\_\_\_
5. EXAMPLE OF COMPLETE PART NO:  
310-0070-201
- BASIC PART NO \_\_\_\_\_ CABLE GROUP DASH NO \_\_\_\_\_

QTY	DESCRIPTION	PART NUMBER	ITEM
TOL UNLESS SPECIFIED ±.03 .005 ±.005 UNLESS ANGLES	TROMPETER ELECTRONICS, INC.	PLR155AC	
DWN DBN 4/3/98	MATERIAL CODE IDENT	14949	310-0070
CHK AM 4-7-98	SCALE 4/1	DATE 4/19/98	SHEET 1 OF 2
ENGR			
APPR			