

DASH NO	CABLES ACCOMMODATED	A DIM	B DIM	C FLATS	D FLATS	E DIA	ASSEMBLE PER
-7	TRC-92-2	1.135	.096	.438	.438	.500	TAI-189
-8	8227, BELDEN	1.716	.130	.625	.688	.750	TAI-103
-9	TWC-78-2	1.135	.096	.438	.438	.500	TAI-102
-9A	BL182, TIMES BL882, TIMES BL1242, TIMES		\triangle	\triangle			
-10	RG-22 754E, AT&T	1.716	.130	.625	.688	.750	TAI-103
-11	760A, AT&T						TAI-128
-12	16PEVL, AT&T VI-AL, GENERAL						TAI-129
-13	TRF-59, TIMES						TAI-165
-13A	8232, BELDEN						TAI-129
-14	8233, BELDEN						TAI-189
-23	250-3884, MICRODOT						TAI-102
-24	202-3934, MICRODOT						TAI-189
-24A	9530A5117, RAYCHEM						TAI-102
-25	T-43M, GENERAL						TAI-189
-25A	5021H5331, RAYCHEM	TAI-189					
-26	7028A5518, RAYCHEM	TAI-102					
-27	T19TPS22619EN, NOVEN 202-3937, MICRODOT 292-3942, MICRODOT	TAI-102					
-29	TWC-78-1/TWC-124-1A	1.135	.096	.438	.438	.500	TAI-102
-30	761A, AT&T 8441, BELDEN	1.135	.096	.438	.438	.500	TAI-189
-32	TRC-50-1						TAI-102
-33	TRC-75-1						TAI-189
-42	21-204, ESSEX 4463, CONSOLIDATED						TAI-102
-43	250-4044/250-4045 293-3930, MICRODOT						TAI-103
-45	M27500-22TE2T14 1100-66F, STANDARD						TAI-103
-46	9860, BELDEN						TAI-103
-47	M17176-00002						TAI-102
-49	TWAC-78-1F2						TAI-103
-54	89207, BELDEN						TAI-102
-55	89272, BELDEN	TAI-189					
-56	GC8756C1, GRUMMAN	TAI-102					
-57	GC8756B1, GRUMMAN	TAI-189					
-58	GC875TM24H, GRUMMAN	TAI-102					
-59	GC875LN1, GRUMMAN	TAI-189					
-60	M17177, THERMATICS 380-10045, BOEING	TAI-189					
-64	7528A5314, RAYCHEM						

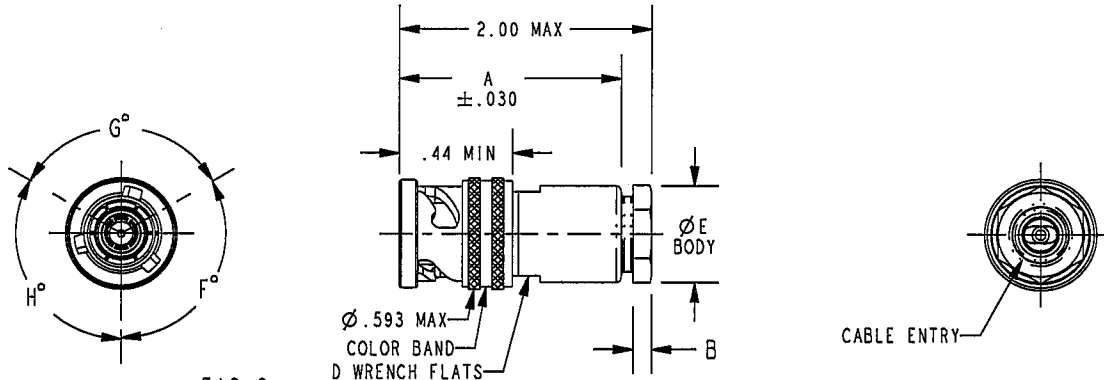
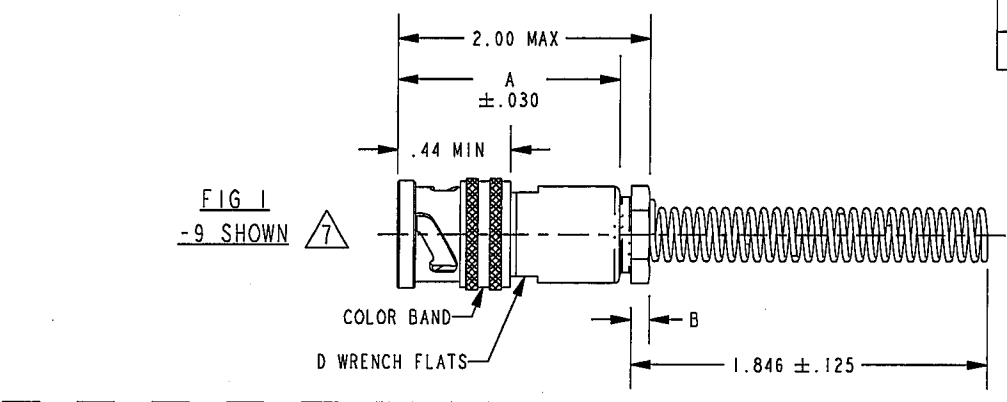
MILITARY PART NO (PIN)	MILITARY CABLE PART NO	TROMPETER PART NO (REF ONLY)
M49142/03-0001	M17134-00001	M310-0002-7
M49142/03-0101	M17134-00001	M310-0002Y-7
M49142/03-0201	M17134-00001	M310-0002S-7
M49142/03-0002	M17134-00002	M310-0002-7
M49142/03-0102	M17134-00002	M310-0002Y-7
M49142/03-0202	M17134-00002	M310-0002S-7
M49142/03-0007	M1745-RG308	M310-0002-9
M49142/03-0107	M1745-RG308	M310-0002Y-9
M49142/03-0207	M1745-RG308	M310-0002S-9
M49142/03-0008	M17176-00002	M310-0002-47
M49142/03-0108	M17176-00002	M310-0002Y-47
M49142/03-0208	M17176-00002	M310-0002S-47
M49142/03-0009	M17177-00002	M310-0002-60
M49142/03-0109	M17177-00002	M310-0002Y-60
M49142/03-0209	M17177-00002	M310-0002S-60

DATA CONTAINED IN THIS DOCUMENT IS PROPRIETARY OF TROMPETER ELECTRONICS INC. AND SHALL NOT BE DISCLOSED, COPIED OR USED FOR PROCUREMENT OR MANUFACTURE WITHOUT EXPRESS WRITTEN PERMISSION.

REV	DESCRIPTION	DATE	APPROVED
BP	REVISED PER ECO 14779	11-5-02	AM

KEYING LETTER	F DEGREES	G DEGREES	H DEGREES	COLOR BAND
NONE	120°	120°	120°	NONE
T	100°	150°	110°	RED
U	120°	130°	110°	ORANGE
V	115°	130°	115°	YELLOW
W	125°	110°	125°	GREEN
X	130°	100°	130°	BLUE
Y	110°	140°	110°	VIOLET
Z	100°	160°	100°	GRAY
S	135°	135°	90°	WHITE

DASH NO	ENTRY DIA	DASH NO	ENTRY DIA
-7	.274	-30	.235
-8	.345	-32	.191
-9	.285	-33	.217
-10	.455	-42	.300
-11	.345	-43	.200
-12	.485	-45	.183
-13	.362	-46	.475
-13A	.352	-47	.164
-14	.510	-49	.132
-23	.183	-54	.323
-24	.191	-55	.250
-24A	.200	-56	.191
-25	.285	-57	
-25A	.183	-58	.198
-26	.183	-59	
-27	.145	-60	.217
-29	.191	-64	.183



RED INDICATES ORIGINAL

6. EXAMPLE OF COMPLETE MODEL NO:
 PL75 T-47 \triangle
 BASIC MODEL NO ————
 POLARIZATION LETTER ————
 NONE REQD FOR STD
 POLARIZATION (SEE TABLE 3)
 DASH NO (CABLE GROUP, TABLE 1)

5. EXAMPLE OF COMPLETE PART NO:
 310-0002 T-47 \triangle
 BASIC MODEL NO ————
 POLARIZATION LETTER ————
 NONE REQD FOR STD.
 POLARIZATION (SEE TABLE 3)
 DASH NO. (CABLE GROUP, TABLE 1)

- \triangle CLAMP NUT OMITTED
 - 3. CONCENTRIC TWINAX/TRIAX 3-LUG TRB CABLE PLUG
 - 2. FINISH: TFS-1A (NICKEL) \triangle
 - 1. ALL DIM ARE IN INCHES
- \triangle WHEN CONNECTOR IS SUPPLIED TO MILITARY PART NO. (SEE TABLE 2):
- a) ALL PARTS NORMALLY PLATED TFS-1A OR TFS-1U (NICKEL) ARE TO BE PLATED TFS-1M (SILVER)
 - b) MARK PART WITH MILITARY PIN (SEE TABLE 2) AND "14949"
 - c) QUALITY CONFORMANCE INSPECTION SHALL BE PER MIL-C-49142 SECTION 4.5
- \triangle IF BEND RELIEF SPRING REQD (SEE FIG 1) ADD SUFFIX "BR" TO MODEL NO (NOT AVAILABLE WITH CABLE GROUPS -8, -10, -11, -12, -13, -13A, -14, -46, & -54)

MODEL NO	DASH NO/CABLE GROUP																
PL75 (TWINAX)	-8	-9	-A9	-10	-11	-12	-24	-25	-27	-29	-30	-45	-46	-47	-49	-54	-55
PL75 (TRIAX)	-7	-13	-13A	-14	-23	-24A	-25A	-26	-32	-33	-42	-43	-56	-57	-59	-60	-64
PL75 (QUADRAX)	-58																

INTERPRET DRAWING PER MIL-STD-100. DIMENSIONS ARE IN INCHS AND INCLUDE FINISH THICKNESS UNLESS OTHERWISE SPECIFIED	TOL: UNLESS SPECIFIED .XX ± .01 .XXX ± .003 .XXXX ± .0010 ANGLE ± 1° 00' CRITICAL	TROMPETER ELECTRONICS, INC.
DRN AAH 11-4-02	MATERIAL	
CHK DD 11-4-02	FINISH	TITLE: PL75/T/U/V/W/ X/Y/Z/S/BR
QUALITY 11-5-02	SEE NOTE \triangle	SIZE CAGE CODE DRAWING NO. REV B 14949 310-0002 BP
MANUF 11/5/02	DO NOT SCALE DWG	SCALE 1/1 DATE 1/12/66 SHEET IC
APPROVED WMark 11/4/02	PROJ FILE NO. 310-0002	

NOTES: UNLESS OTHERWISE SPECIFIED.