



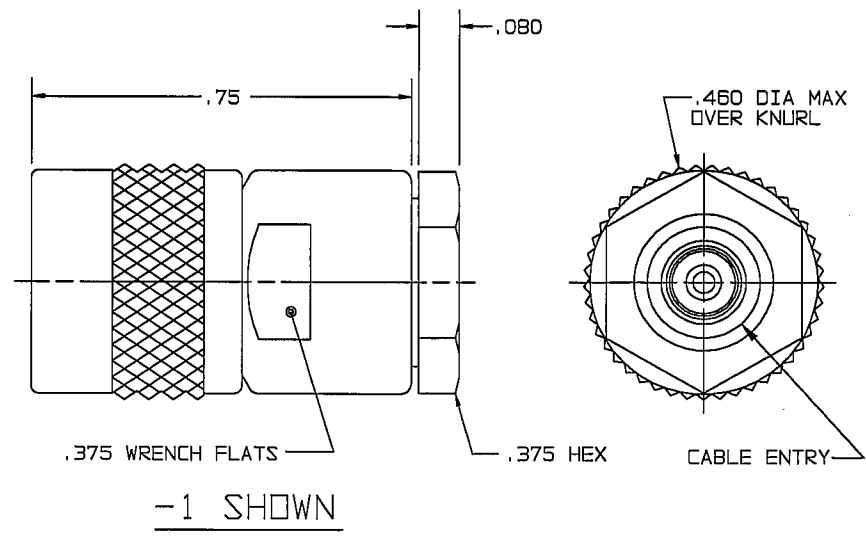
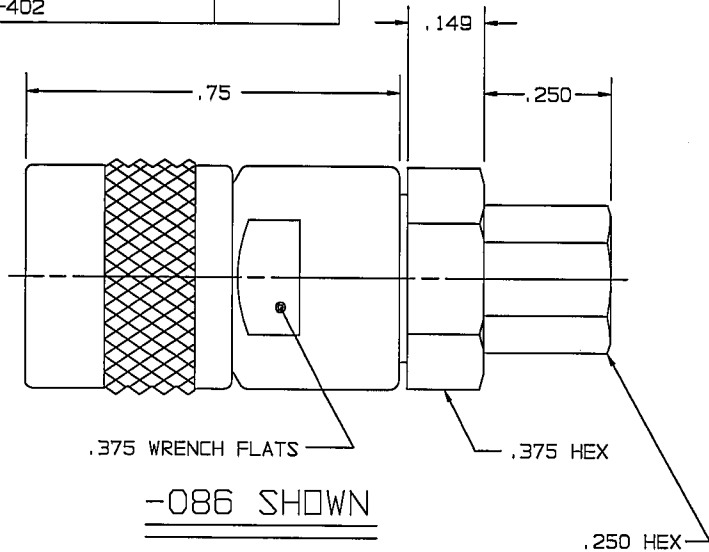
# RED INDICATES ORIGINAL


DASH NO	CABLES ACCOMMODATED	ASSEMBLE PER	INCH	MM
-1	RG-58	TAI-135	.005	0.13
-2	RG-59		.03	0.76
-2A	B279 BELDEN	TAI-108	.080	2.03
-2B	730A AT&T 		.149	3.78
-3	RG-223	TAI-135	.250	6.35
-4	RG-122		.375	9.23
-5	RG-174		.460	11.68
-5A	RG-196		.75	19.05
-22	RG-180			
-31	GRUMMAN GC875GP1	TAI-130		
-36	CXN1362; GDRE			
-086	RG-405			
-141	RG-402			


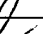
DWG SIZE  
**B**

DATA CONTAINED IN THIS DOCUMENT IS PROPRIETARY TO TROMPETER ELECTRONICS INC. AND SHALL NOT BE DISCLOSED, COPIED OR USED FOR PROCUREMENT OR MANUFACTURE WITHOUT EXPRESS WRITTEN PERMISSION.

REVISIONS			1-0016		SH 1C
REV	ECD	DESCRIPTION	DWN	APPROVED	DATE
Y	13099	REDRAWN WITHOUT CHANGE TO ACCOMMODATE CUSTOMER NEED FOR ELECTRONIC FILE TRANSFER; SEE ECD	DKC		11/15/99



-  NOT WRENCH CRIMP
3. MALE TYPE TPS COAXIAL PLUG
  2. FINISH: TFS-1A (NICKEL)
  1. ALL DIMENSIONS ARE IN INCHES

QTY	DESCRIPTION		PART NUMBER	ITEM
TOL UNLESS SPECIFIED		<b>TROMPETER ELECTRONICS, INC.</b>	PL50	
.XX ±.03 .XXX ±.005 .XXXX ± ANGLE ±				
DWN	DKC	10-20-99	MATERIAL	CODE IDENT
CHK		11-15-99	14949	DRAWING NO. 1-0016
ENGR				REV Y
NEXT ASSY	APPR	11-15-99	SCALE 4/1	DATE 8-5-66
				SHEET 1C