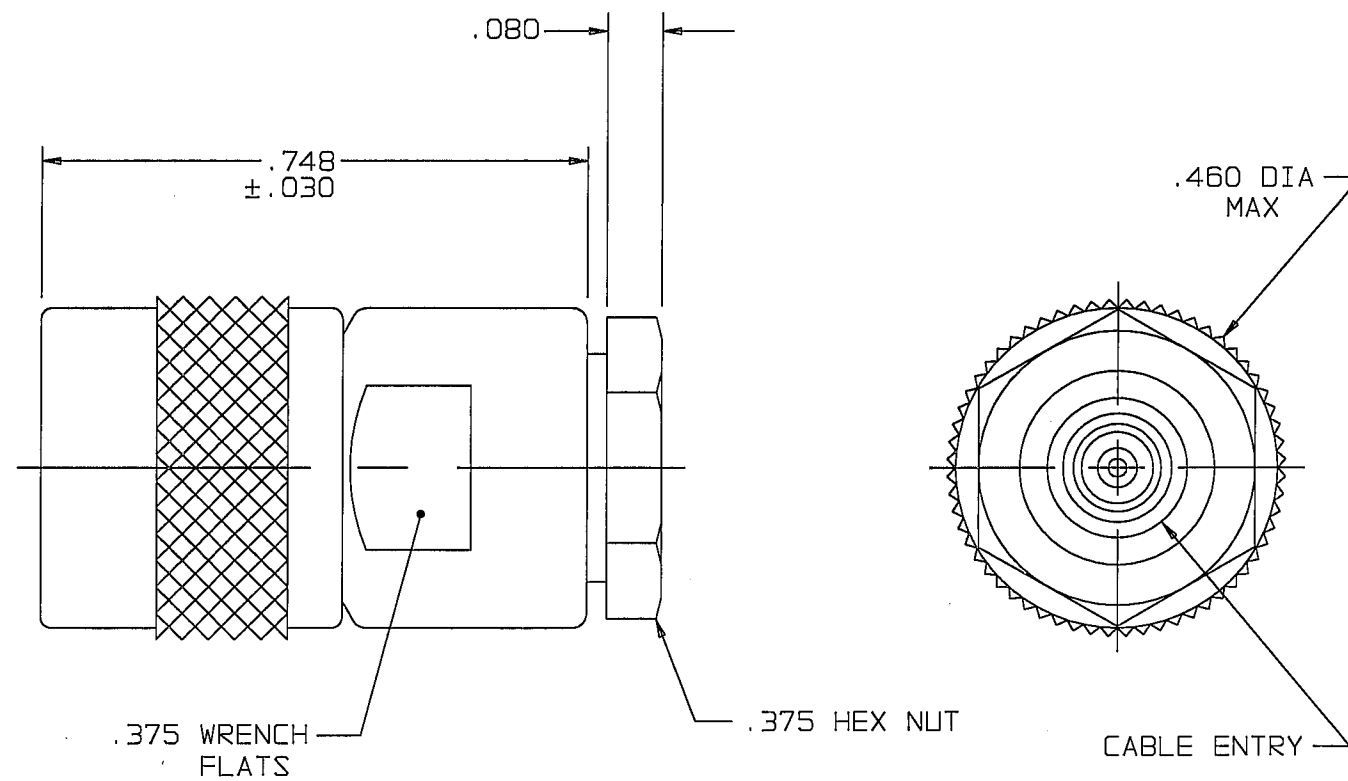


| DASH NO | CABLES ACCOMMODATED                                       | ASSEMBLE PER |
|---------|---|--------------|
| -23     | 275-3930, MICRODOT  | TAI-127      |
| -24     | 202-3934, MICRODOT  | TAI-125      |
| -24A    | 9530A5117, RAYCHEM  | TAI-127      |
| -27     | 202-3927, MICRODOT <sup>5</sup><br>73-1317911-1, SYLVANIA | TAI-125      |
| -29     | TWC-124-1A<br>TWC-78-1                                    | TAI-125      |
| -30     | 8441, BELDEN <sup>4</sup><br>761A, W.E.CO.                | TAI-125      |
| -32     | TRC-50-1  | TAI-127      |
| -33     | TRC-75-1  | TAI-127      |
| -43     | 250-4044/250-4045<br>293-3930 MICRODOT                    | TAI-174      |
| -45     | 10602, RAYCHEM  | TAI-125      |
| -47     | M17/176-00002 <sup>5</sup>                                | TAI-125      |
| -49     | TWAC-78-1F2 <sup>5</sup>                                  | TAI-125      |
| -56     | GC875GC1, GRUMMAN   | TAI-174      |
| -57     | GC875GB1, GRUMMAN   | TAI-174      |
| -58     | GC875TM24H, GRUMMAN                                       | TAI-125      |
| -55     | TWCP-124-3  | TAI-125      |

DATA CONTAINED IN THIS DOCUMENT IS PROPRIETARY TO TROMPETER ELECTRONICS INC. AND SHALL NOT BE DISCLOSED, COPIED OR USED FOR PROCUREMENT OR MANUFACTURE WITHOUT EXPRESS WRITTEN PERMISSION OF TROMPETER ELECTRONICS INC.

| REVISIONS |                       | 310-0036 | SH 1     |
|-----------|-----------------------|----------|----------|
| REV       | DESCRIPTION           | DATE     | APPROVED |
| V         | REVISED PER ECO 15485 | 2/14/04  | WJ       |



-29 SHOWN

**RED INDICATES ORIGINAL**

<sup>5</sup> .187 LG JACKET SLITS MAY BE REQUIRED FOR EASE OF ASSY

<sup>4</sup> NOT WRENCH CRIMP

3. CONCENTRIC TWINAX/TRIAX SUBMINIATURE 3-LUG TRS PLUG
2. FINISH: TFS-1A (NICKEL)
1. ALL DIM ARE IN INCHES

| DRAWN     |              | DATE      | TOL: UNLESS SPECIFIED |                  | TITLE:   |
|-----------|--------------|-----------|-----------------------|------------------|--|
| 310-0026  | AAH          | 6-10-04   | .XX ±.01              | MATERIAL:        |  |
| 305-0374  | AAH          | 6-10-04   | .XXX ±.005            |                  |  |
| 3-0040    | AAH          | 6/14/04   | .XXXX ±.0010          | FINISH:          | SIZE CAGE CODE DRAWING NO. REV.<br><b>B 14949</b> 310-0036 V |
| 3-0029    | AAH          | 6/14/04   | ANGLES ± 0° 30'       |                  |  |
| 205-0029  | AAH          | 6/14/04   |                       | DO NOT SCALE DWG | SCALE 4/1 DATE: 6/20/75 SHEET 1C                             |
| 1-0451    | AAH          | 6/14/04   |                       |                  |  |
| NEXT ASSY | CAD FILE NO. | 310-0036V |                       |                  |  |

