

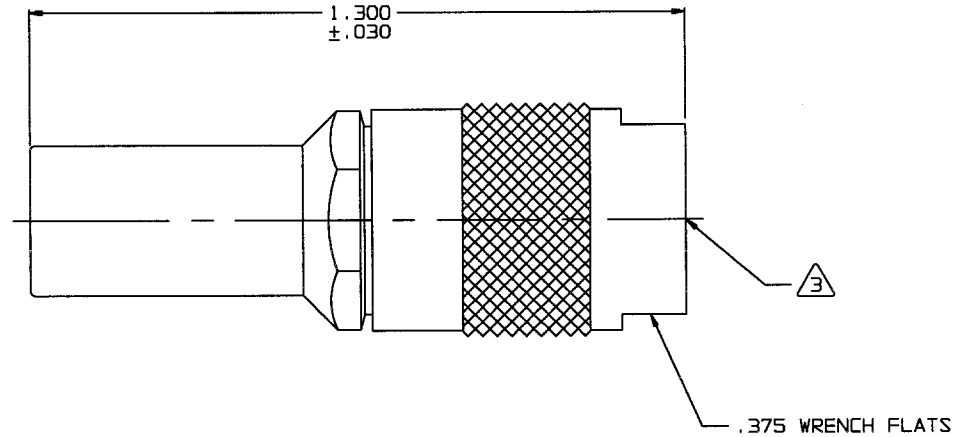
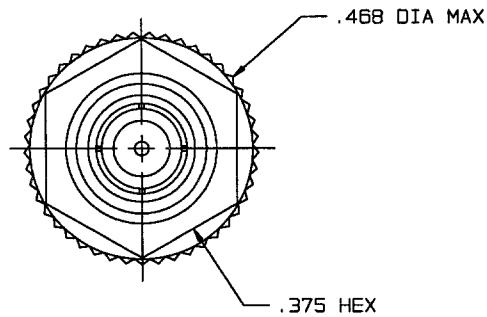
# RED INDICATES ORIGINAL

DASH NO	CABLES ACCOMMODATED	ASSEMBLE PER
-27	202-3927 73-1317911-1	TAI-105
-29	TWC-124-1A TWC-78-1	
-32	TRC-50-1	TAI-164
-33	TRC-75-1	
-45	10602, RAYCHEM	TAI-105
-47	M17/176-00002	

DATA CONTAINED IN THIS DOCUMENT IS PROPRIETARY TO TROMPETER ELECTRONICS INC. AND SHALL NOT BE DISCLOSED, COPIED OR USED FOR PROCUREMENT OR MANUFACTURE WITHOUT EXPRESS WRITTEN PERMISSION.

REVISIONS			310-0034	SH 1	
REV	ED	DESCRIPTION	DWN	APPROVED	DATE
M	12403	ADDED -45; SEE ECO	DBN	W.M. Adm.	5/18/98

INCH	MM
.005	0.13
.030	0.76
.375	9.53
.468	11.89
1.300	33.02



-29 SHOWN

4. SUBMINIATURE TWINAXIAL/TRIAXIAL PATCH PLUG

CABLE ENTRY

2. FINISH: TFS-1A (NICKEL)

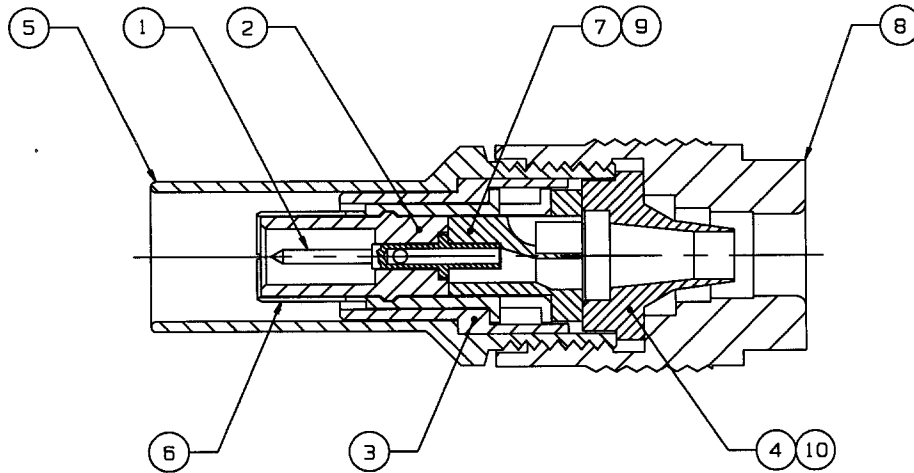
1. ALL DIM ARE IN INCHES

		DESCRIPTION	PART NUMBER	ITEM		
TOL UNLESS SPECIFIED		<b>TROMPETER ELECTRONICS, INC.</b>	PL150			
.XX ± .XXX ± .005 .XXXX ± ANGLES ±						
305-0541	DWN	DBN 4/25/98	MATERIAL	CODE IDENT	DRAWING NO.	REV
305-0418	CHK	W.M. 4-28-98		<b>14949</b>	<b>310-0034</b>	<b>M</b>
305-0394	ENGR					
NEXT ASSY	APPR	W.M. 5/8/98	SCALE 4/1	DATE 2/28/75	SHEET 1 of 2	

# RED INDICATES ORIGINAL

DATA CONTAINED IN THIS DOCUMENT IS PROPRIETARY TO TROMPETER ELECTRONICS INC. AND SHALL NOT BE DISCLOSED, COPIED OR USED FOR PROCUREMENT OR MANUFACTURE WITHOUT EXPRESS WRITTEN PERMISSION.

REVISIONS			310-0034		SH 2
REV	EO	DESCRIPTION	DWN	APPROVED	DATE



-29 SHOWN

1	1	1				CONE DIELECTRIC	8-1662	10
	1	1	1			NOTCHED INSERT	8-1663	9
1	1	1	1	1	1	CLAMP NUT	8-1546-1	8
1					1	DUAL ENTRY DIELECTRIC	8-1463	7
1	1	1	1	1	1	INNER SHIELD	8-1471	6
1	1	1	1	1	1	BARREL	8-1473	5
1	1	1	1	1	1	CONE	8-1468-1	4
1	1	1	1	1	1	SHIELD INSULATOR	8-1472	3
1	1	1	1	1	1	PIN DIELECTRIC	8-1470	2
1	1	1	1	1	1	PIN	8-1469	1
-47	-45	-33	-32	-29	-27	DESCRIPTION	PART NUMBER	ITEM

TOL UNLESS SPECIFIED  
 .XX ±  
 .XXX ±  
 .XXXX ±  
 ANGLES ±

**TROMPETER  
 ELECTRONICS, INC.**

PL150

DWN	DBN	4/25/98	MATERIAL	CODE IDENT	DRAWING NO.	REV
CHK	W/M	4-28-98		14949	310-0034	M
ENGR						
APPR	W/M	5/8/98	SCALE 4/1	DATE 2/28/75	SHEET 2	

SEE SHT 1  
 NEXT ASSY

1 ITEMS 4 & 8 DASH NO  
 SAME AS ASSY DASH NO