
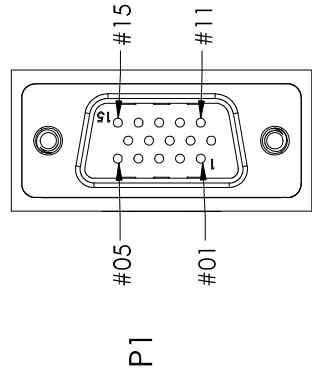
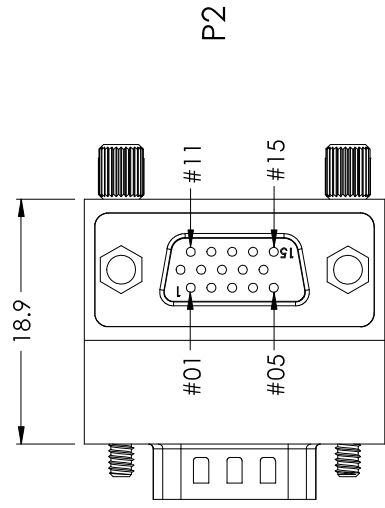
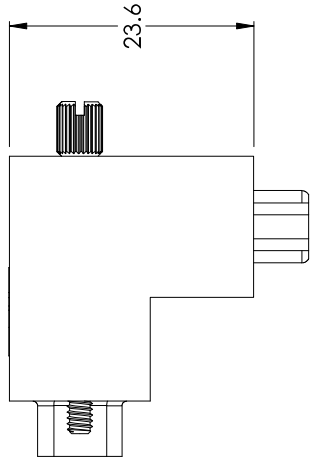


8 7 6 5 4 3 2 1

REV		DESCRIPTION		DATE	APPROVED
A	MVAC0001	A	REV A DRAWING RELEASED	05/15/18	B.PUCHASKI
					

D C B A



P1	P2
1	1
2	2
3	3
4	4
5	5
6	6
7	7
8	8
9	9
10	10
11	11
12	12
13	13
14	14
15	15
S	S

PIN OUT

**PROPRIETARY NOTICE**  
 This document discloses confidential subject matter in which MilesTek Corporation and its subsidiaries have proprietary rights. Neither receipt nor possession thereof confers or grants any right, title, or interest in the subject matter, and all rights are reserved. No part of this document or any physical article or device, or to practice any method or process, except by written permission from, or written agreement with MilesTek Corporation and its subsidiaries.

**NOTES:**


- ADAPTER SHALL BE TESTED FOR CONTINUITY. NO OPENS/SHORTS, MISWIRING OR INTERMITTENT FAILURES.
- VOLTAGE TEST: DC 300V 10MS
- INSULATION RESISTANCE: 5.0M OHM / MIN.
- CONDUCTOR RESISTANCE: 5.0 OHM / MAX.

ADAPTER SHALL BE INDIVIDUALLY PACKAGED IN ACCORDANCE WITH MILESTEK SPECIFICATION PS-0054.

**REGULATORY COMPLIANCE:**

CE2011/65/EU(RoHS DIRECTIVE)

**NON CONTROLLED DRAWING IF PRINTED**

CAD SYSTEM DRAWING - DO NOT REVISE MANUALLY			
UNLESS OTHERWISE SPECIFIED ALL DIMENSIONS ARE IN INCHES	SIGNATURE	DATE	 MILESTEK CORPORATION 3010 WALKER DRIVE, SUITE 100 WALKER, MI 48090 PHONE: (940) 484-4400 FAX: (940) 364-0487
OVERALL CABLE LENGTH TOLERANCE: >12 (305) 560 (1424) = +0 (0) / -0 >120 (3048) <-300 (7620) = +0 (0) / -0 >300 (7620) = +5% / -0% ALL OTHER DIMENSIONAL TOLERANCES: .X = ± .0008 .XX = ± .001 .XXX = ± .0015 (13)	DRAWN BY: B.PUCHASKI CHECKED BY: J.LARBY APPROVED BY: B.GATES APPROVED MANUFACTURING: CUSTOMER APPROVAL	05/09/18 05/09/18	
DASH	NEXT ASSY	USED ON	TITLE: HDB 15-F-M R/A ADP SHE: A DRAWING NUMBER: MVAC00001 SCALE: NTS CAGE CODE: 42977 CUSTOMER REFERENCE DOCUMENT:

8 7 6 5 4 3 2 1