

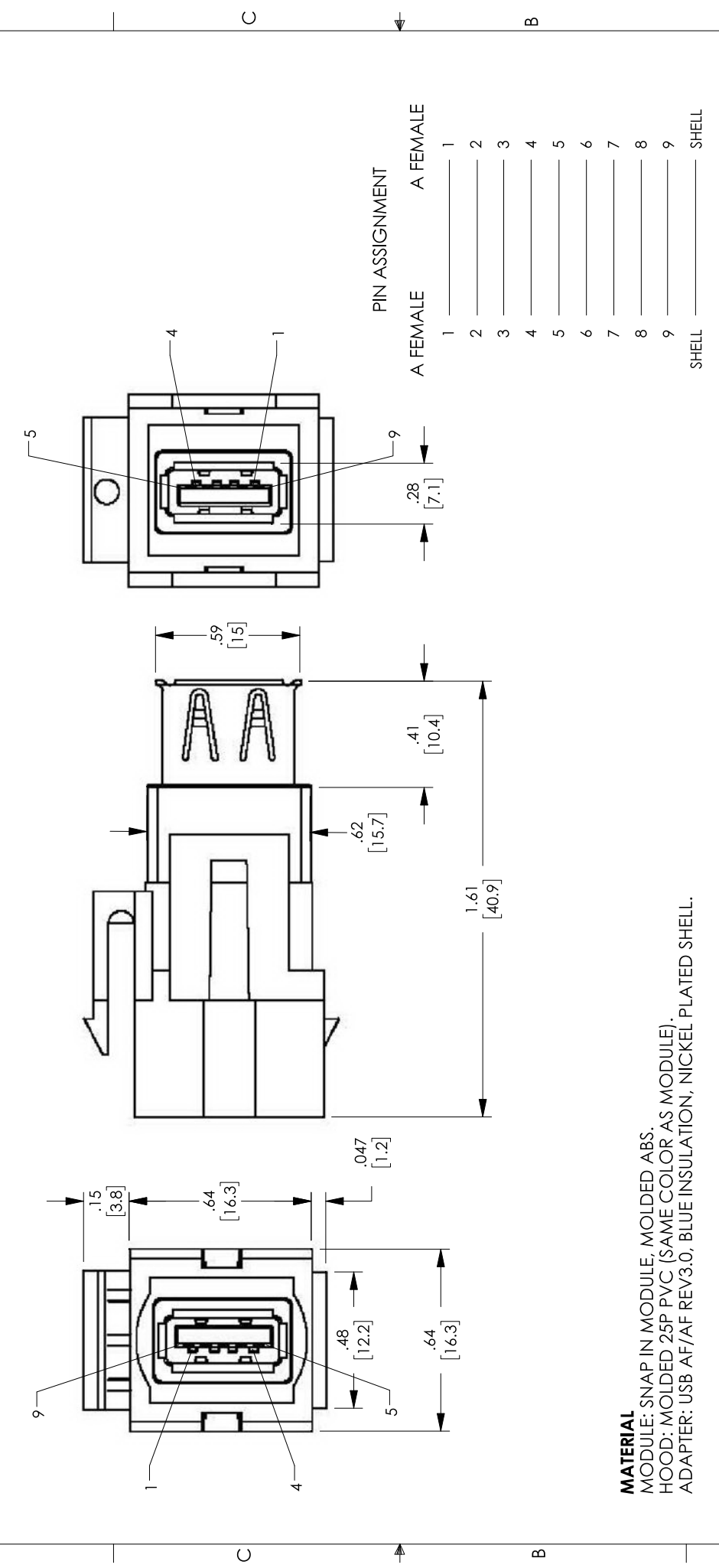
REV	DESCRIPTION	DATE	APPROVED
A	REV A DRAWING RELEASED	05/16/18	B.PUCHASKI

REV	DESCRIPTION	DATE	APPROVED
A	REV A DRAWING RELEASED	05/16/18	B.PUCHASKI

REV	DESCRIPTION	DATE	APPROVED
A	REV A DRAWING RELEASED	05/16/18	B.PUCHASKI

PROPRIETARY NOTICE

This document discloses confidential subject matter in which MilesTek Corporation and its subsidiaries have proprietary rights. Neither receipt nor possession thereof confers or grants the right to reproduce, distribute, or disseminate the information contained herein, or any part thereof, in any form or by any means, without the prior written permission of MilesTek Corporation. This document is the property of MilesTek Corporation and is to be used only for the purpose specified in the contract or purchase order. Any other use, reproduction, or distribution of this document without the prior written permission of MilesTek Corporation is strictly prohibited. This document is the property of MilesTek Corporation and is to be used only for the purpose specified in the contract or purchase order. Any other use, reproduction, or distribution of this document without the prior written permission of MilesTek Corporation is strictly prohibited.



SIGNATURE		DATE	MILESTEK CORPORATION	
DRAWN BY: B.PUCHASKI		05/10/18	301 BROADWAY, SUITE 100	
CHECKED BY: J.JARON		05/10/18	PHONE: (940) 484-4400	
APPROVED BY: B.GATES		05/10/18	FAX: (940) 566-1047	
APPROVED MANUFACTURING:			TITLE	
CUSTOMER APPROVAL			ADPT, USB MODULE A-A F	
DASH			SHEET	
NEXT ASSY			DRAWING NUMBER:	
USED ON			A	
APPLICATION			SCALE: NTS	
CUSTOMER REFERENCE DOCUMENT:			CAGE CODE: 42977	
			MUS3C00003	
			SHEET 1 OF 1	

NON CONTROLLED DRAWING IF PRINTED

CAD SYSTEM DRAWING - DO NOT REVISE MANUALLY

- ALL DIMENSIONS ARE FOR REFERENCE ONLY.
 - COMPONENT SHALL BE INDIVIDUALLY PACKAGED IN ACCORDANCE WITH MILESTEK SPECIFICATION PS-0054.
- REGULATORY COMPLIANCE:**
CE2011/65/EU (RoHS DIRECTIVE)