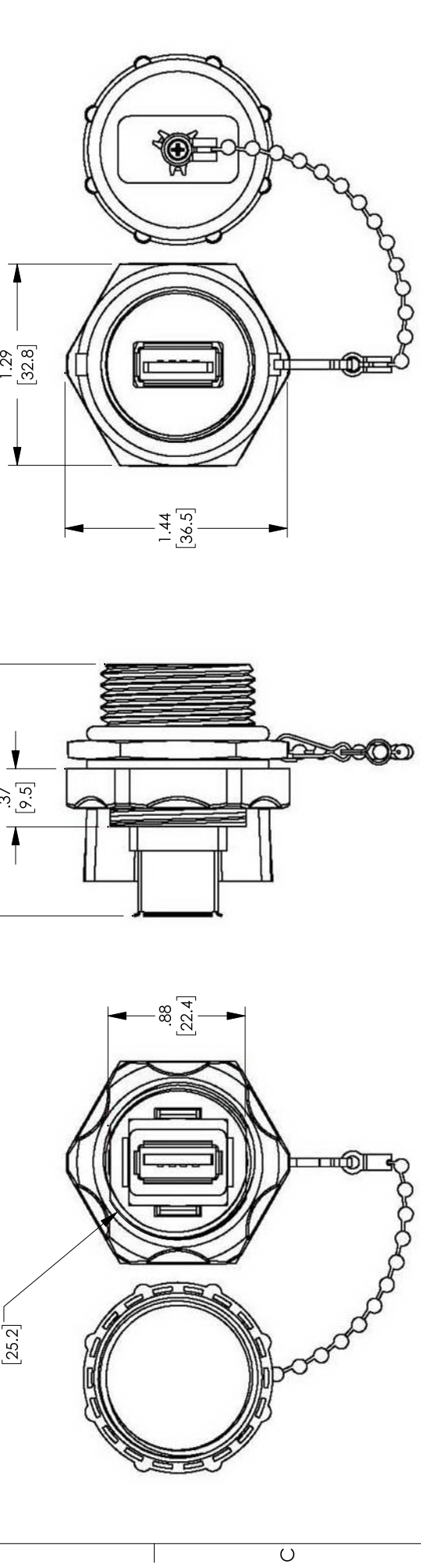


**PROPRIETARY NOTICE**

This document discloses confidential subject matter in which MilesTek Corporation and its subsidiaries have proprietary rights. Neither receipt nor possession thereof confers or grants the recipient any information contained therein or any physical article or device, or to practice any method or process, except by written permission from, or written agreement with MilesTek Corporation and its subsidiaries.

REV	DESCRIPTION	DATE	APPROVED
A	REV A DRAWING RELEASED	05/16/18	B.PUCHASKI

D C B A



**MATERIAL**

MAIN BODY & DUST CAP: PBT+GF, UL94V-0.  
 USB CONTACTS: BRASS AND PHOSPHOR BRONZE, GOLD PLATED.  
 SHELL: BRASS, NICKEL PLATED.  
 HOOD: MOLDED 25P PVC.  
 CHAIN: BRONZE, NICKEL PLATED.  
 ADAPTER: USB AF/AF REV3.0, BLUE INSULATION, NICKEL PLATED SHELL.

**PHYSICAL CHARACTERISTICS**

MATING: 35N MAX.  
 WITHDRAWAL: 10N MIN.  
 DURABILITY: 1500 CYCLES MIN.  
 STORAGE TEMPERATURE RANGE: -20 °C TO 80 °C.  
 HUMIDITY: 10%-90%RH.

**ELECTRICAL**

IMPEDANCE: 90 ± 7 Ω  
 VOLTAGE RATING: 30 VAC  
 CURRENT RATING:  
 1.5A FOR VBUS ADD GND CONTACTS,  
 0.25A FOR OTHER CONTACTS.  
 INSULATION RESISTANCE: 20 MΩ MAX.  
 LOW LEVEL CONTACT RESISTANCE:  
 30 MΩ FOR VBUS ADD GND CONTACTS.  
 50 MΩ FOR OTHER CONTACTS.  
 DIELECTRIC WITHSTANDING VOLTAGE:  
 NO BREAKDOWN SHALL OCCUR WHEN 100 VOLTS AC(RMS) IS APPLIED BETWEEN CONTACTS OF UNMATED AND MATED CONNECTORS.

**NOTES:**

- ALL DIMENSIONS ARE FOR REFERENCE ONLY.
- COMPONENT SHALL BE INDIVIDUALLY PACKAGED IN ACCORDANCE WITH MILESTEK SPECIFICATION PS-0054.

**REGULATORY COMPLIANCE:**

CE2011 / 65/EU(RoHS DIRECTIVE)  
 IEC 60529-IP67: PROTECTION FROM IMMERSION IN WATER FOR 30 MINUTES AT A DEPTH OF UP TO 1 METER.

**PIN ASSIGNMENT**

A FEMALE	A FEMALE
1	_____ SHELL
2	_____ SHELL
3	_____ SHELL
4	_____ SHELL
5	_____ SHELL
6	_____ SHELL
7	_____ SHELL
8	_____ SHELL
9	_____ SHELL

**NON CONTROLLED DRAWING IF PRINTED**

CAD SYSTEM DRAWING - DO NOT REVISE MANUALLY			
UNLESS OTHERWISE SPECIFIED ALL DIMENSIONS ARE IN INCHES	SIGNATURE	DATE	A
OVERALL CABLE LENGTH TOLERANCE: >1/2 (305) 560 (1424) = +2 (51) / -0 >120 (3048) 5320 (13620) = +6 (152) / -0 >300 (7620) = +3% / -0%	DRAWN BY: B.PUCHASKI	05/10/18	Milestek MilesTek Corporation
ALL OTHER DIMENSIONAL TOLERANCES: X ± .2 (508) XXX ± .003 (13)	CHECKED BY: J.JARBOY	05/10/18	
	APPROVED BY: B.GATES	05/10/18	
	APPROVED MANUFACTURING:		
	CUSTOMER APPROVAL		
DASH: NEXT ASSY	USED ON	CAGE CODE: 42977	DRAWING NUMBER: MUS3C00002
APPLICATION			SCALE: NTS
CUSTOMER REFERENCE DOCUMENT:			SHEET 1 OF 1